



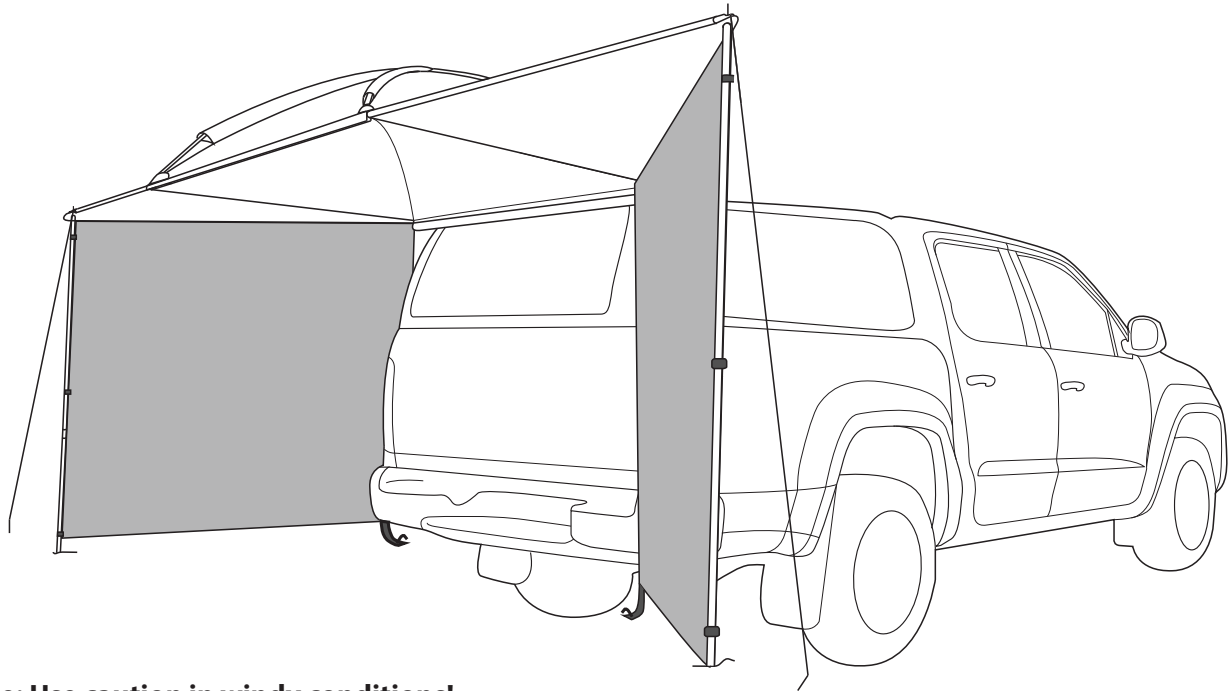
CONTROLLED

RHINO-RACK

Dome 1300 Side Wall (32131)

Important: Please read these instructions carefully prior to installation. Please refer to your fitting instruction to ensure that the roof racks are installed in the correct locations. Check the contents of kit before commencing fitment and report any discrepancies. Place these instructions in the vehicle's glove box after installation is complete.

Layout



Note: Use caution in windy conditions!
The pegs and ropes must always be used when the Dome 1300 awning is open.

Important Information

Recommendations

Bolt connections should be checked again at regular intervals (once a week is enough, depending on road conditions, usage, loads and distances travelled). You should also check the roof bars each time they are refitted. It is not recommended to use the Dome 1300/ Side Walls in strong winds.

Use only non-stretch fastening ropes or straps.

Please remove Dome 1300 awning accessories and crossbars when putting vehicle through an automatic car wash.

Load Ratings

With the addition of the Dome 1300 Awning, the load capacity of your crossbars will have to be adjusted accordingly. The Dome 1300 Awning and 2 crossbars weigh approximately 15kg. When roof racks are to be used in off-road conditions, please build a safety factor of 1.5 into this load limit. Although the roof racks are tested and approved to AS1235-2000, Australian road conditions can be much more rigorous.

Note for Dealers and Fitters

It is your responsibility to ensure this fitting instruction is given to the end user or client

Rhino-Rack
3 Pike Street, Rydalmere,
NSW 2116, Australia.
(Ph) (02) 9638 4744
(Fax) (02) 9638 4822

Document No: R1217
Prepared By: Kayle Everett
Authorised By: Chris Murty

Fit Time: 3-5min.
Issue No: 01
Issue Date: 14/12/2016

These instructions remain the property of Rhino-Rack Australia Pty Ltd and may not be used or changed for any other purpose than intended.



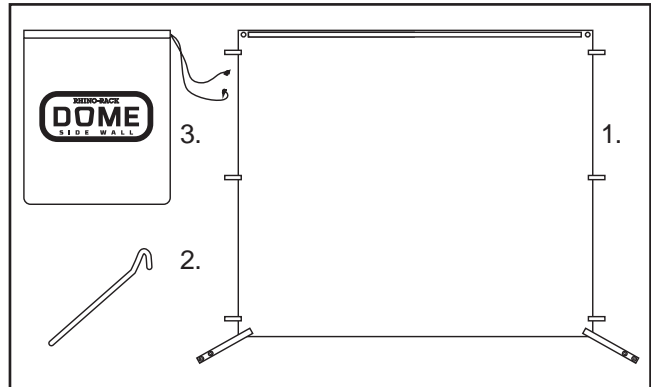
Dome 1300 Side Wall (32131)

Parts List

1	Dome 1300 Side Wall	1	32131
2	Metal Peg	2	C909
3	Carry Bag	1	-
4	Fitting Instruction	1	R1217

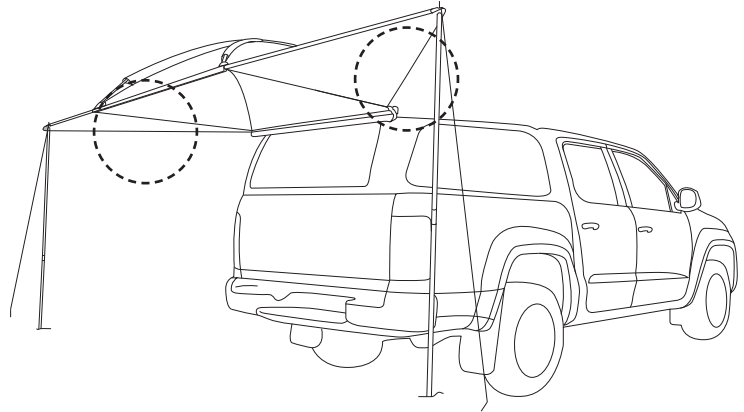
Note: 32131 Dome Side Wall is for use with the Dome 1300 Awning only.

Tools Required:
Rubber Mallet.



Fitting Instructions

- 1** Select the side of the awning you wish to set the 32131 side wall to. The side wall is reversible and can be attached to either.



- 2** A: Push the press studs at either end of the side wall, into those at either end on side of the awning. Attach the velcro as shown. B: Attach the velcro tabs on the side wall around the support pole of the awning. C: Secure the bottom of the side wall by sliding a peg through the straps located in the bottom corners.

