



RHINO-RACK®

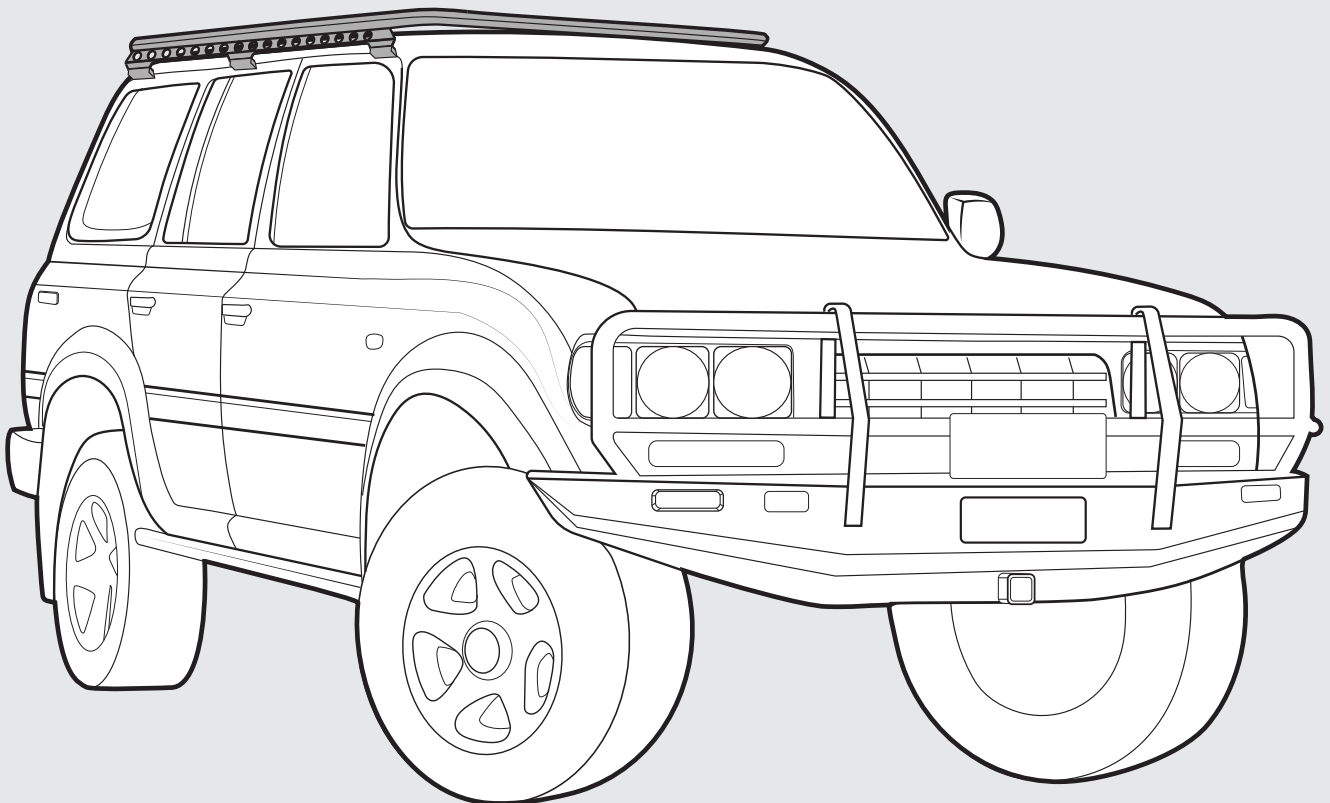
Long Gutter Mount Backbone (Curved)

RGMB2

Important:

1. Check the Rhino-Rack website to ensure you have the latest issue of these instructions.
2. Please refer to your fitting instruction to ensure that the roof racks are installed in the correct locations.
3. Check the contents of kit before commencing fitment and report any discrepancies.
4. Place these instructions in the vehicle's glove box after installation is complete.
5. These instructions must be followed for warranty to be upheld.

Fit Time: 30 min



Rhino-Rack AUSTRALIA
22A Hanson Pl,
Eastern Creek, NSW, 2766
(02) 8846 1900
rhinorack.com.au

Rhino-Rack USA
Unit D, 2450 Airport Blvd,
Aurora, CO, 80011
877-744-6622
rhinorack.com

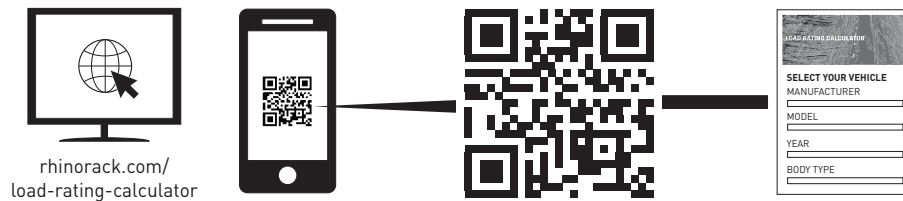
Rhino-Rack CANADA
19100 Airport Way
Pitt Meadows, BC V3Y OE2
rhinorack.ca

Doc. No: 520-RFI-00044
Issue No: 01
Issue Date: 31/08/2021

RGMB2 Instructions

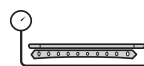
Carrying Capacity

Check the website and the vehicle owners hand book for your vehicle manufacturer's maximum carrying capacity. Load must be evenly distributed over the system.



Cargo Load Limit

Total permissible weight allowed on top, and attached to roof racks whilst the vehicle is in motion.



System Weight

Total weight of the roof rack system. (Crossbars, Backbone, Platform)



Max System Load Capacity

Please ensure you use the vehicle manufacturer's maximum roof allowance if it is lower than the figure listed in the fitting chart.



Vehicle Manufacturer's Load Limit

Total permissible weight attached to the roof of the car. This is inclusive of the weight of the roof rack system.

Warning

- Check part number or kit is correct for use with your vehicle.
- Do not attempt to fit the rack system to your vehicle unless you fully understand these fitting instructions. Please direct any questions regarding fitting to the dealer from where the roof racks were purchased.
- Off-road conditions can be much more rigorous. Extreme care must be taken on any driven path that does not contain a surface protection layer (tar/bitumen).
- Roof racks must be removed when vehicle is put through an automatic car wash.
- With utility vehicles, the cabin and the canopy move independently. Roof racks and vehicle can be damaged if the item transported is rigidly fixed at points on both the cabin and canopy. Instead, rigidly fix to either the cabin roof racks or the canopy roof racks.
- Always ensure you fasten your load securely.
- Use only non-stretch fastening ropes or straps to attach cargo to your load.

In service maintenance checks

- All bolt connections should be checked after driving a short distance when you first install your roof racks.
- All bolted connections should be checked again at regular intervals (weekly is recommended, depending on road conditions, usage, loads and distances travelled).
- All bolted connections should be checked each time they are re-fitted.
- Off-road conditions are more rigorous. Check all bolted connections and your load more regularly.
- Ensure that your vehicle manufacturer's GVM, and gross axle weights are not exceeded (refer to vehicle owner's manual).

Torque Settings

Unless stated otherwise in these instructions, all fasteners should be set to the following torque settings:

M6: 4-5Nm (3-4lbs/ft),

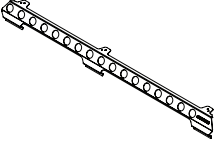
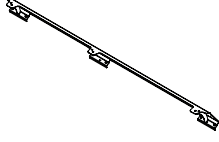
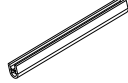
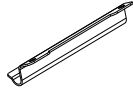
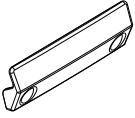


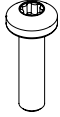
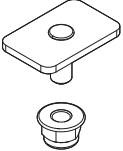


M8: 8-10Nm (6-7.5lbs/ft)

M10: 16-18Nm (12-13lbs/ft).

Note for Dealers and Fitters

It is your responsibility to ensure these fitting instructions are given to the end user or client. These instructions remain the property of Rhino-Rack Australia Pty. Ltd. and may not be used or changed for any other purpose than intended.

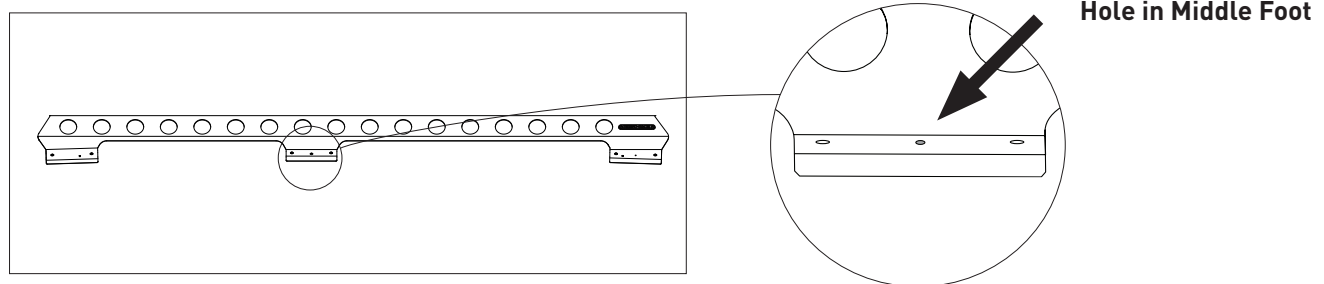
RGMB2 (Curved) Parts List

<p>Curved Long Backbone Right</p>  <p>A x1</p>	<p>Curved Long Backbone Left</p>  <p>B x1</p>	<p>Pinch weld 150x10mm</p>  <p>C x6</p>	<p>Specified Vehicle Strap</p>  <p>D x6</p>
<p>Gutter Clamp</p>  <p>E x6</p>	<p>M6 X 12.5mm Flat Washer</p>  <p>F x12</p>	<p>M6 Spring Washer</p>  <p>G x12</p>	<p>M6 X 25mm Pan Head Screw</p>  <p>H x12</p>
<p>Pioneer NG Bolt & Nut Kit</p>  <p>I x6</p>	<p>T30 L-Key</p>  <p>J x1</p>	<p>Instruction</p>  <p>K x1</p>	<p>Tools Required: T1 - 13mm socket wrench T2 - Tape measure</p>

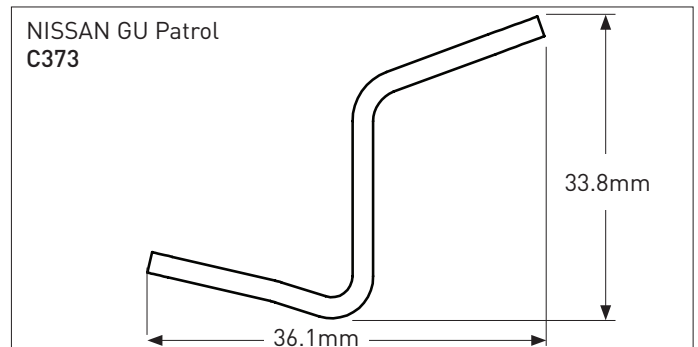
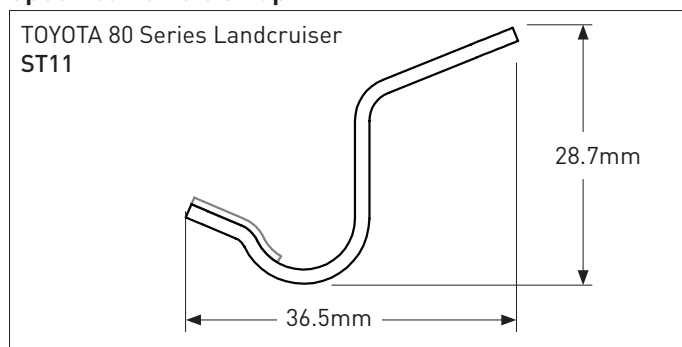
Note:

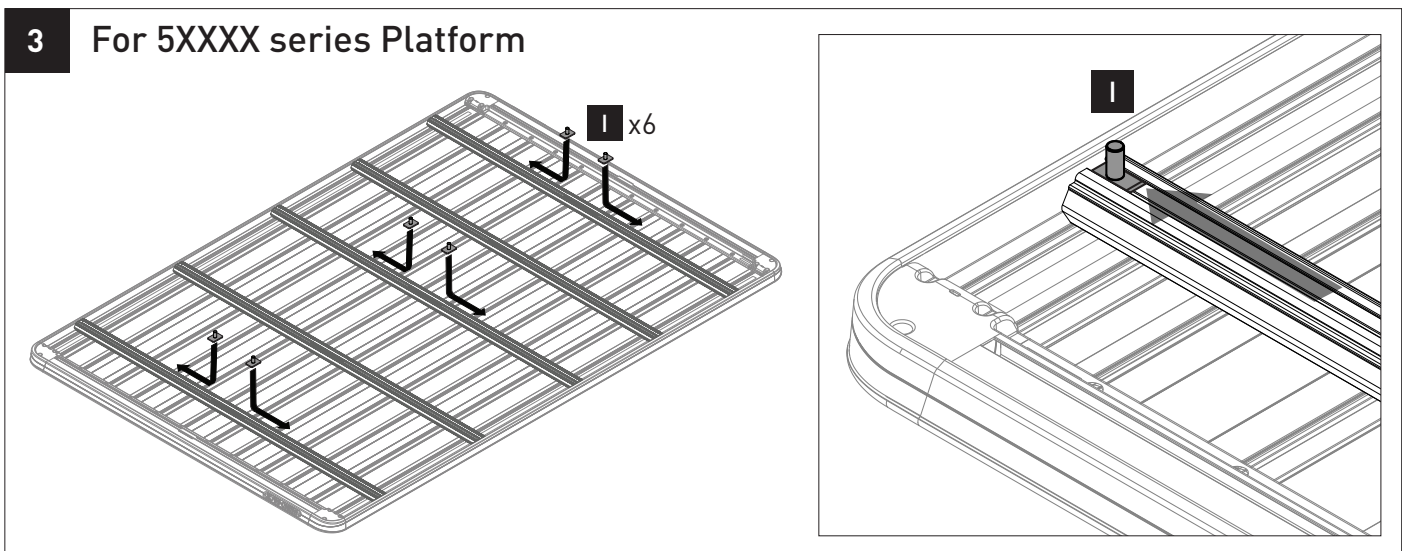
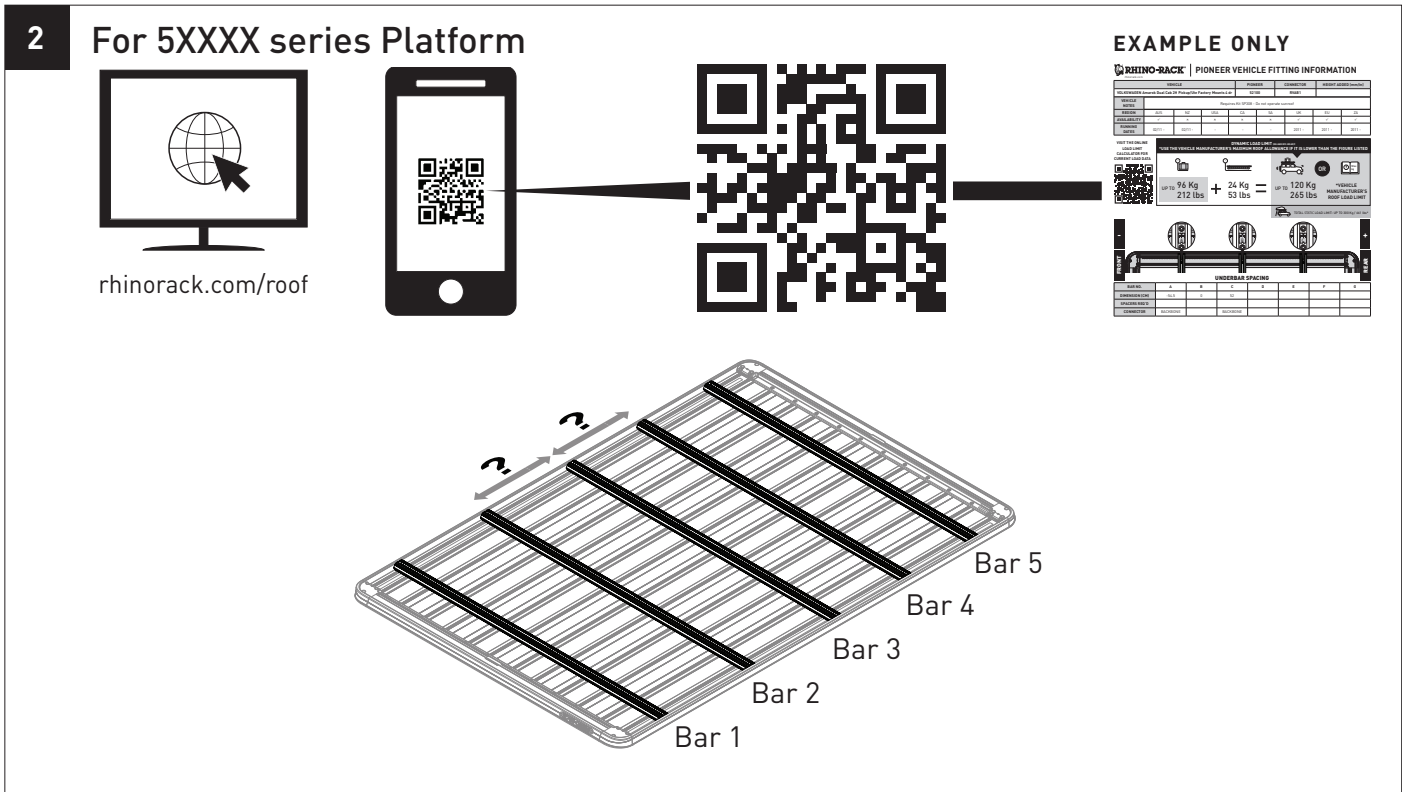
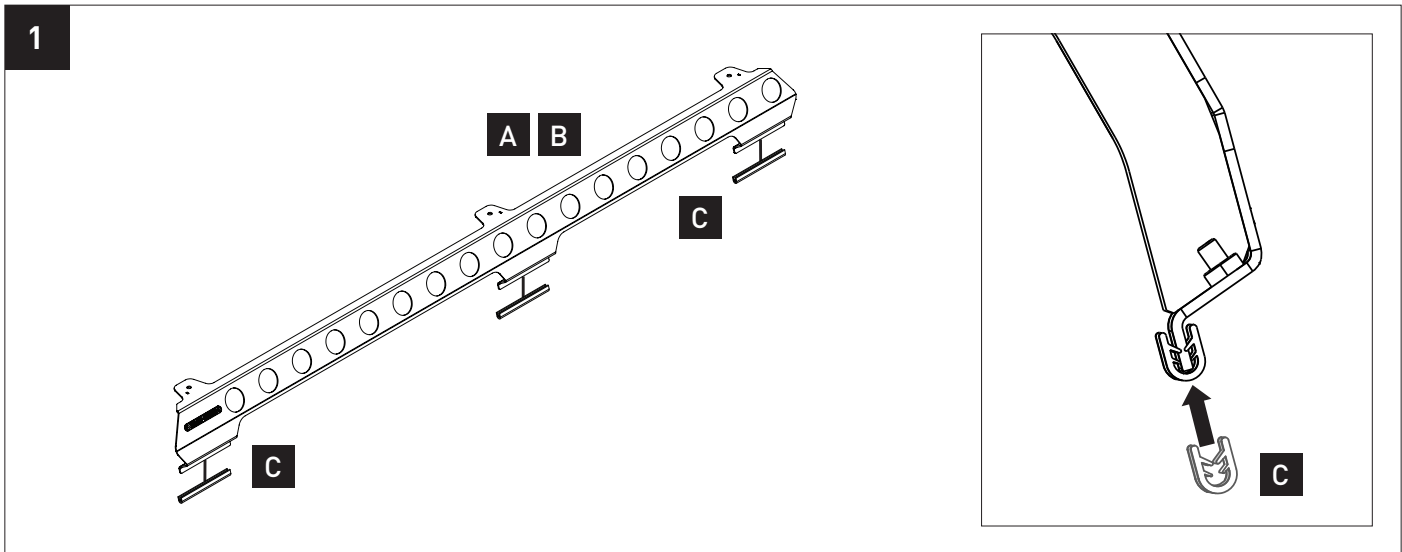
- Item **I** only required with 5XXXX series Pioneer Platforms.
- For installation with 4XXXX Pioneer Platforms, additional kit SUB0836 is required. (Refer to Step 5, pg.6)
- Only use the below specified vehicle strap for your vehicle

Curved Backbone Identifier

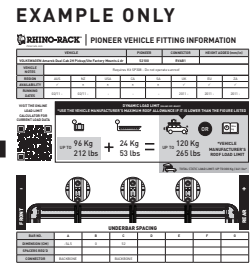
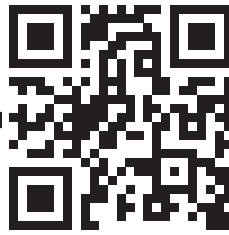


Specified Vehicle Strap

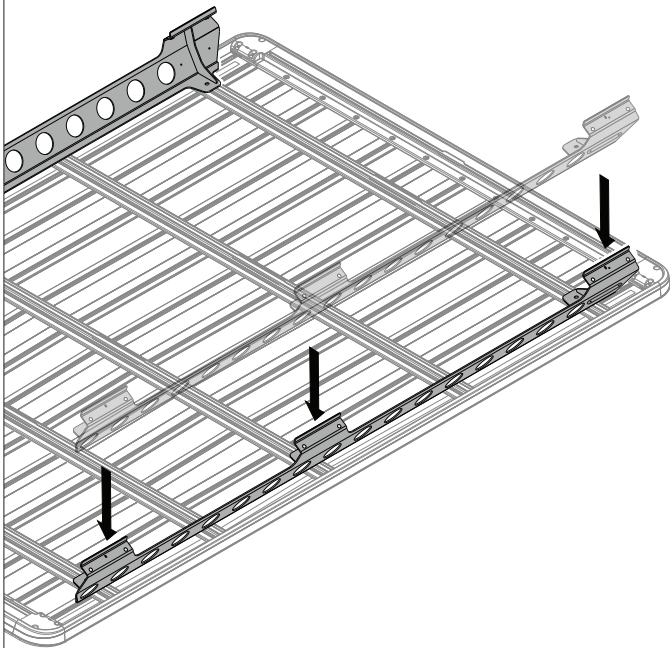
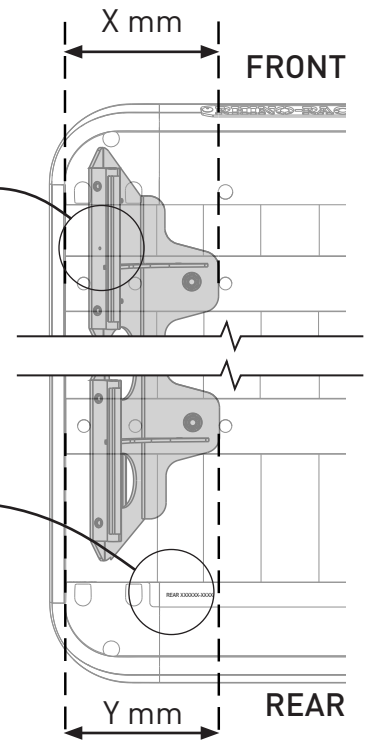
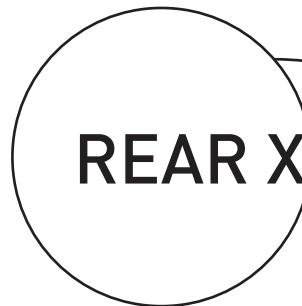
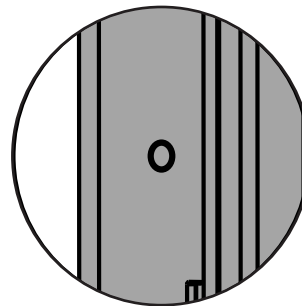




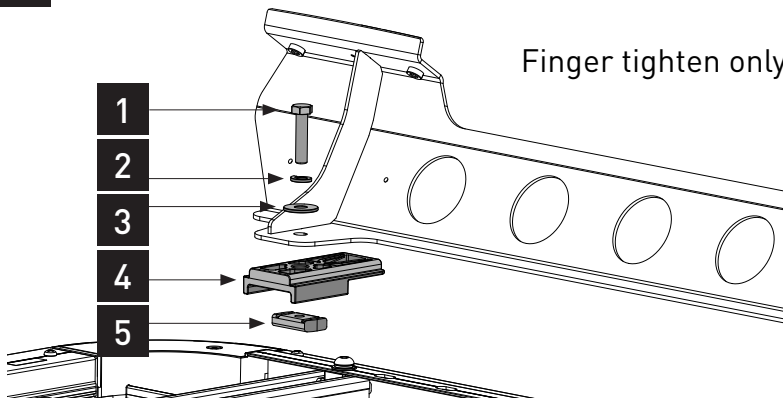
3a For 5XXXX series Platform



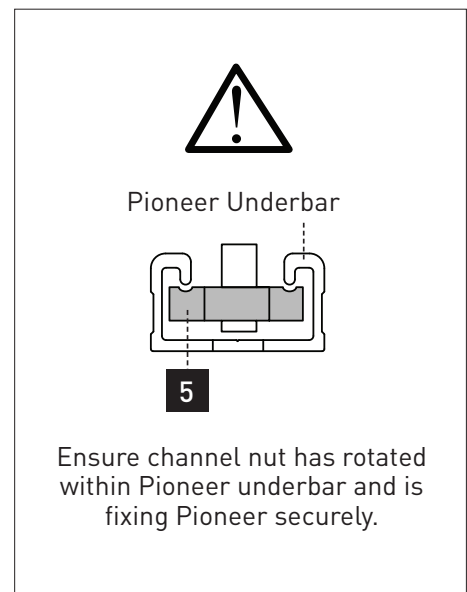
Round Hole in centre of backbone foot to front of tray



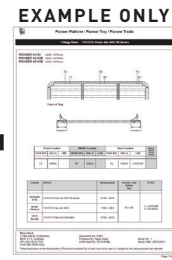
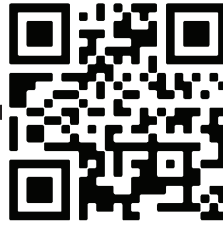
4 For 4XXXX series Pioneer Platforms, SUB0836 is required for installation



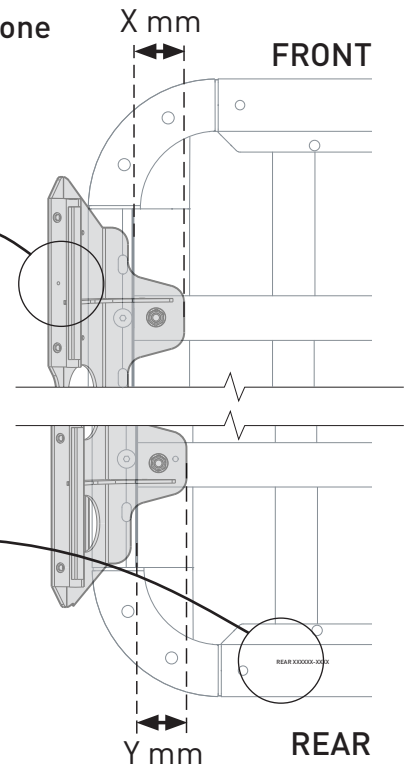
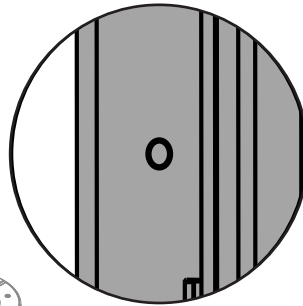
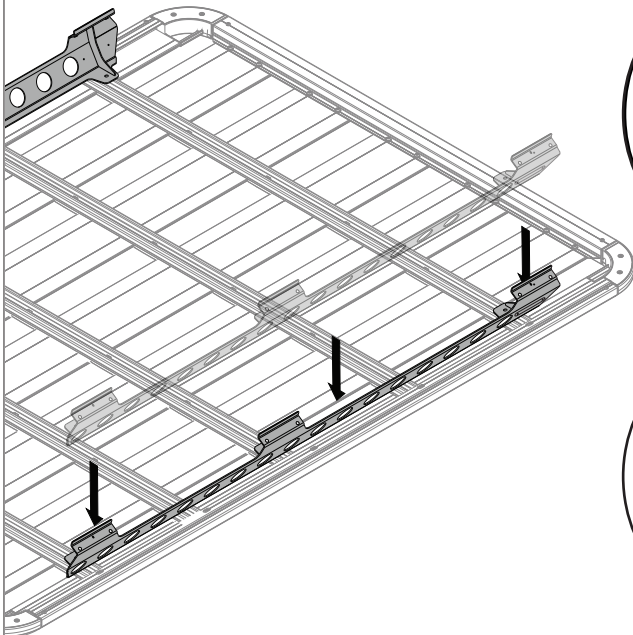
Item	Description	Qty
1	M8 X 35 Hex Head Screw	6
2	M8 Spring Washer S/S	6
3	M8 X 24 X 2 Flat Washer S/S Black	6
4	Pioneer Leg Height Spacer	6
5	M8 Channel Nut	6



4a For 4XXX series Platform



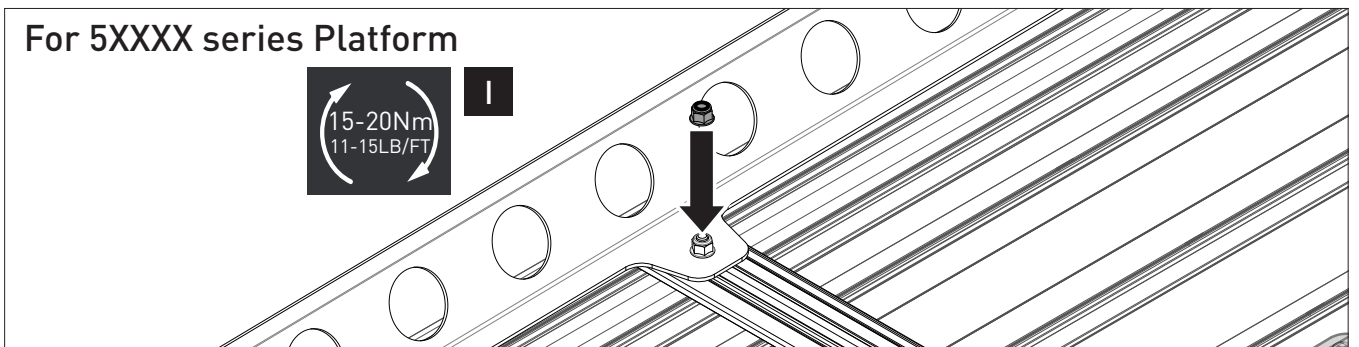
Round Hole in centre of backbone foot to front of tray



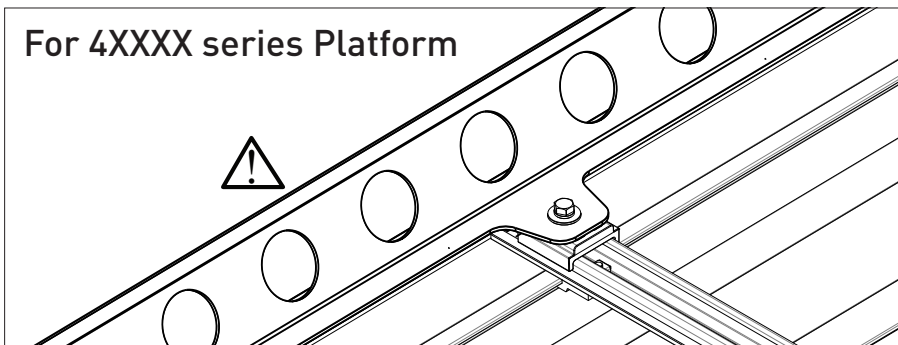
5

REAR

For 5XXX series Platform

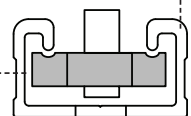


For 4XXX series Platform



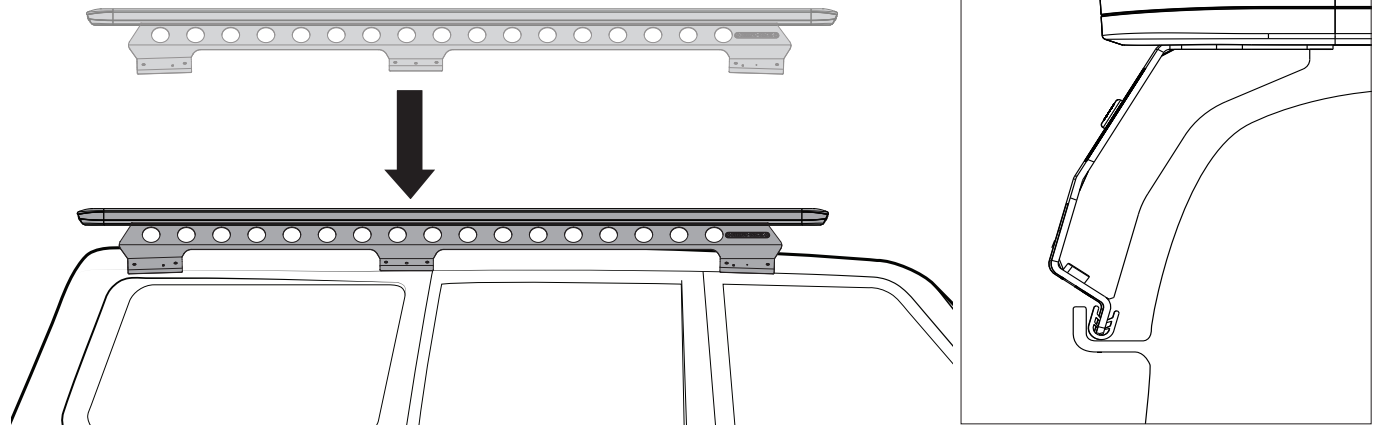
Pioneer Underbar

5



Ensure channel nut has rotated within Pioneer underbar and is fixing Pioneer securely.

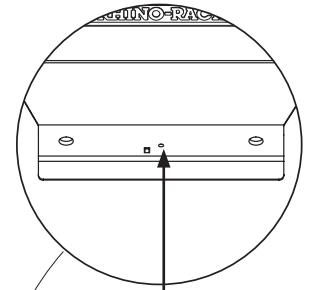
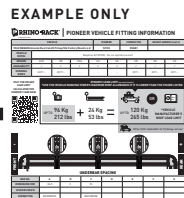
6



7



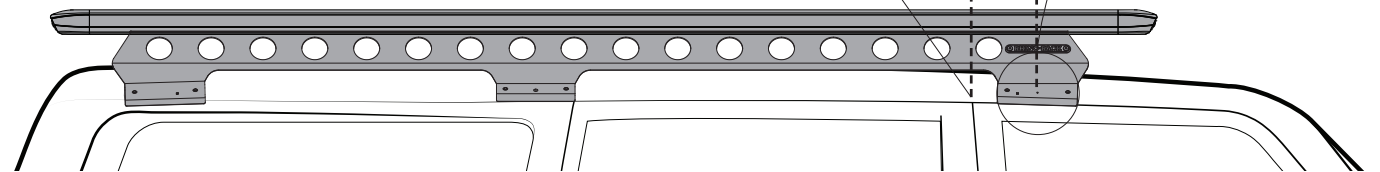
rhinorack.com/roof



MEASURE FROM
ROUND HOLE IN
CENTRE OF FOOT

Z mm

DOOR EDGE



8

