



RHINO-RACK

Aerodynamic & Heavy Duty Roof Rack Systems

RLTF & RLTP Rhino Heavy Duty - Track Mount

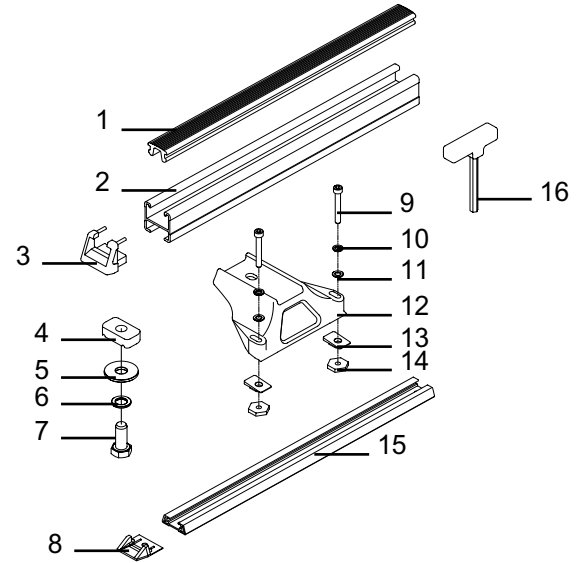
Your Rhino-Rack is designed and manufactured in Australia to meet the requirements of Australian Standard AS1235-2000. Only use Rhino-Rack approved accessories.

Place these instructions in the vehicle's glove box after installation is complete.

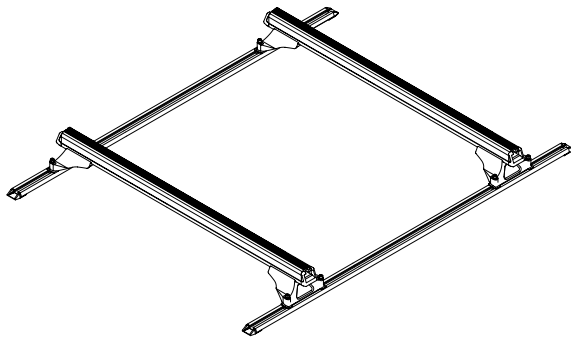
Important: Please read these instructions carefully prior to installation. Please refer to your fitting instruction to ensure that the roof racks are installed in the correct locations. Check the contents of kit before commencing fitment and report any discrepancies.

Parts List

Item	Component Name	Qty.	Part No.
1	Heavy Duty Rubber Buffer	2	-
2	Heavy Duty Crossbar	2	-
3	Heavy Duty Bar End Cap	4	M002
4	M10 Channel Nut	2	N024
5	M10 x 38mm x 2.5mm Flat Washer	2	W022
6	M10 Internal Shakeproof Washer	2	W021
7	M10 x 25mm Hex Bolt	2	B071
8	Track End Cap	4	M006
9	M6 x 35mm Button Head Security Screw	4	B092
10	M6 Spring Washer	4	W004
11	M6 x 12.5mm Flat Washer	4	W003
12	Track Mount Leg RLTF (M010) & RLTP (M057)	2	-
13	Wedges	4	M148
14	M6 x 21.43mm x 4.4mm Brass Hex Nut	4	N009
15	Track	2	-
16	M5 Security Allen Key & Handle	1	H011 & H013
17	Fitting Instruction	1	RR04



Layout



Tools Required

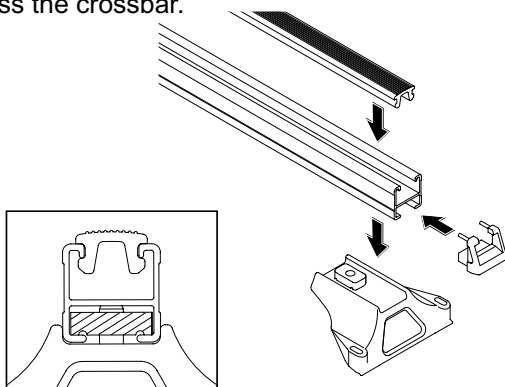
Allen key, provided in kit
Tape measure
Marking pen
5mm drill bit
Drill
Drill stop
Vacuum cleaner
Masking tape
Rivet gun
Galvanised paint
Selleys Butyl Mastic
Carton knife
13mm socket

Care Instructions

Before fitting the Heavy Duty Track Mount Wash and clean vehicle roof prior to installation.

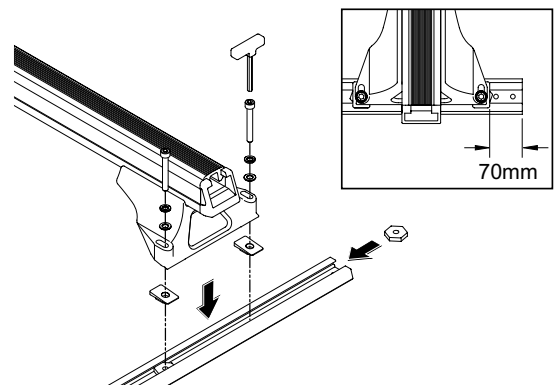
Install crossbar onto legs. Push the leg hex bolt up and turn the bolt so that the channel nut is fully located across the crossbar.

1



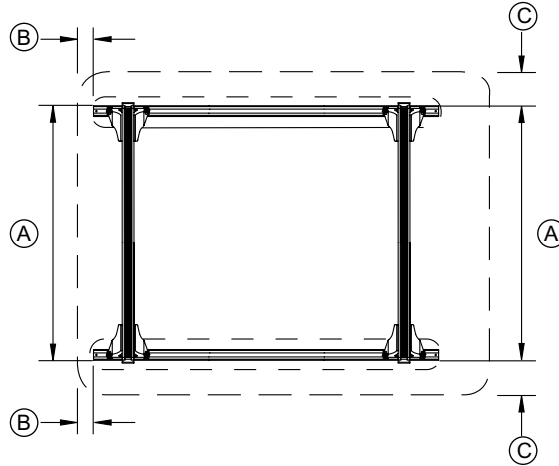
2

Assemble rack as shown, attaching the legs to the tracks. Finger tighten hex bolt as the legs will require adjustment when placed onto the vehicle.



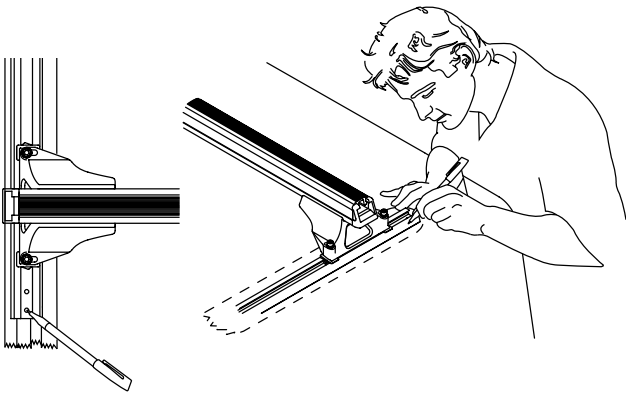
Locate masking tape where tracks are to be positioned. The tracks must be fitted as far apart as possible on the outer edge of the vehicle roof. The track must have full contact with the vehicle roof. Place the crossbar and leg assembly onto the roof. Once location has been decided check on underside of roof for clearance. Ensure crossbars are located as shown.

3



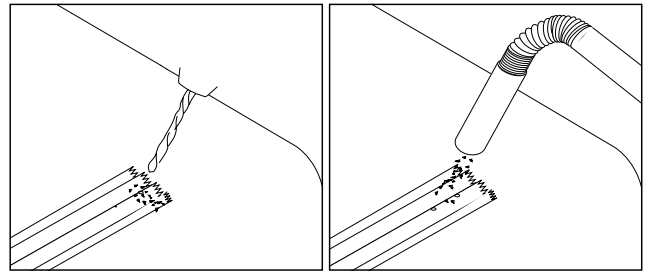
Mark track holes.

4



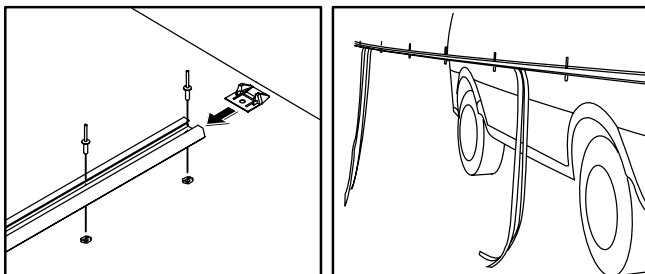
Remove rack from vehicle and crossbars from tracks. Drill holes using a 5mm drill bit. A drill stop is recommended to prevent drilling through roof lining. Vacuum vehicle roof to remove metal filings. Remove masking tape.

5



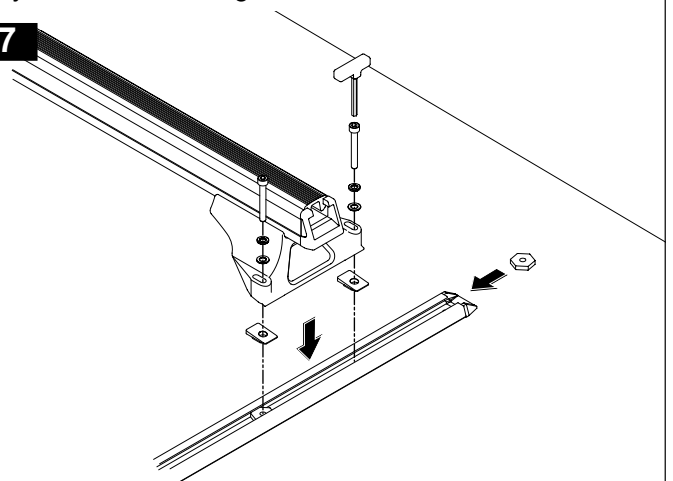
Apply galvanised paint then Selleys Butyl Mastic around holes. Remove paper gasket from foam tape on underside of track. Locate track end caps, place tracks onto vehicle roof and rivet as shown.

6



Re-attach crossbars to tracks as shown. Tighten security bolt to 3-4Nm. Tighten hex bolt to 4-5Nm.

7



Important Information

RECOMMENDATIONS

Please refer to your vehicle manufacturers operating manual for maximum roof load rating.

It is essential that all bolt connections be checked after driving a short distance when you first install your Rhino-Rails Crossbars.

Bolt connections should be checked again at regular intervals (probably once a week is enough, depending on road conditions, usage, loads and distances travelled). You should also check the roof bars each time they are refitted.

Crossbars and accessories should be cleaned and all screw threads should be lubricated at regular intervals.

Rhino-Rack offers a 3 year warranty to the original purchaser of the Rhino-Rack rails roof rack system and Accessories.

Rhino-Rack cannot be held responsible for incorrect mounting of the roof rack system or for usage that exceeds vehicle and production tolerances.

Make sure to fasten your load securely.

Please ensure that all loads are evenly distributed and that the centre of gravity is kept as low as possible.

USE ONLY NON-STRETCH FASTENING ROPES OR STRAPS.

SENSITIVITY TO CROSSWINDS, BEHAVIOUR IN CURVES AND BRAKING

The handling characteristics of the vehicle change when you transport a load on the roof. For safety reasons, we recommend you exercise extreme care when transporting wind-resisting loads; special consideration must be taken into account when braking.

PLEASE REMOVE CROSSBARS WHEN PUTTING VEHICLE THROUGH AN AUTOMATIC CAR WASH

LOAD RATINGS

The vehicle manufactures recommended load rating is the maximum permissible load per pair of roof racks (include the weight of the roof rack, 5kg). When roof bars are to be used in extreme off-road conditions please build a safety factor of 1.5 into this maximum load limit. Although roof bars are tested and approved to AS1235-2000, Australian road conditions can be much more rigorous.

NOTE FOR FITTERS AND DEALERS

It is your responsibility to ensure instructions are given to the end user or client.

Rhino-Rack

3 Pike Street, Rydalmere,
NSW 2116, Australia.

(Ph) (02) 9638 4744 (Fax) (02) 9638 4822

Document No: RR-61

Prepared By: Sheila Oliveira

Authorised By: Gary England

Issue No: 02

Issue Date: 24/11/2003

These instructions remain the property of Fetovu Pty Ltd T/as Rhino-Rack and may not be used or changed for any other purpose than intended.