



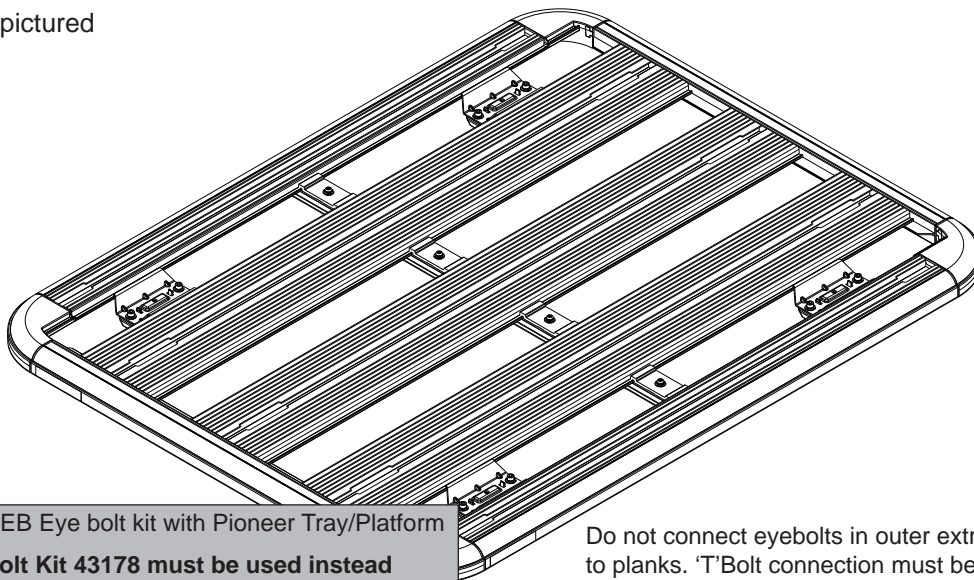
RHINO-RACK

Universal Pioneer Platform (Flat Pack) 42114B/42115B

Place these instructions in the vehicle's glove box after installation is complete.

Important: Please read these instructions carefully prior to installation.
Check the contents of this kit before commencing fitment and report any discrepancies.
Place these instructions in the vehicle's glove box after installation is complete.

Note: 42114B pictured



DO NOT use REB Eye bolt kit with Pioneer Tray/Platform
Pioneer Eye Bolt Kit 43178 must be used instead

Do not connect eyebolts in outer extrusion, connect only to planks. 'T'Bolt connection must be used.

Care Instruction: Wash vehicle roof prior to installing Rhino Pioneer Alloy Platform.

Recommendations:

It is essential that all bolt connections be checked after driving a short distance when you first install your Pioneer Platform. Bolt connections should be checked again at regular intervals (once a week, depending on road conditions, usage, loads and distances travelled). Make sure to fasten your load securely. Please ensure that all loads are evenly distributed and that the centre of gravity is kept as low as possible.

It is advised to remove the Pioneer Tray from the vehicle when not in use.

Sensitivity to cross winds, behaviour in curves and braking.

The handling characteristics of the vehicle, changes when you transport a load on the roof. For safety reasons, we recommend you exercise extreme care when transporting wind-resisting loads; special consideration must be taken into account when braking. **Maximum carrying capacity:** Refer vehicle manufacturer specifications, less weight of alloy tray below (includes bracket kits):

42114B = 12.5kg

42115B = 17kg

Maximum permissible load is set by the vehicle manufacturer less the weight of the Platform. When alloy trays are to be used in off-road conditions, please build a safety factor of 1.5 into this load limit. Although the alloy trays are tested and approved to AS1235-2000, Australian road conditions can be much more rigorous. However, increasing the number of mount points to the vehicle does not increase the vehicles maximum permissible roof loading.

Note for Dealers and Fitters:

It is your responsibility to ensure instructions are given to the end user or client.

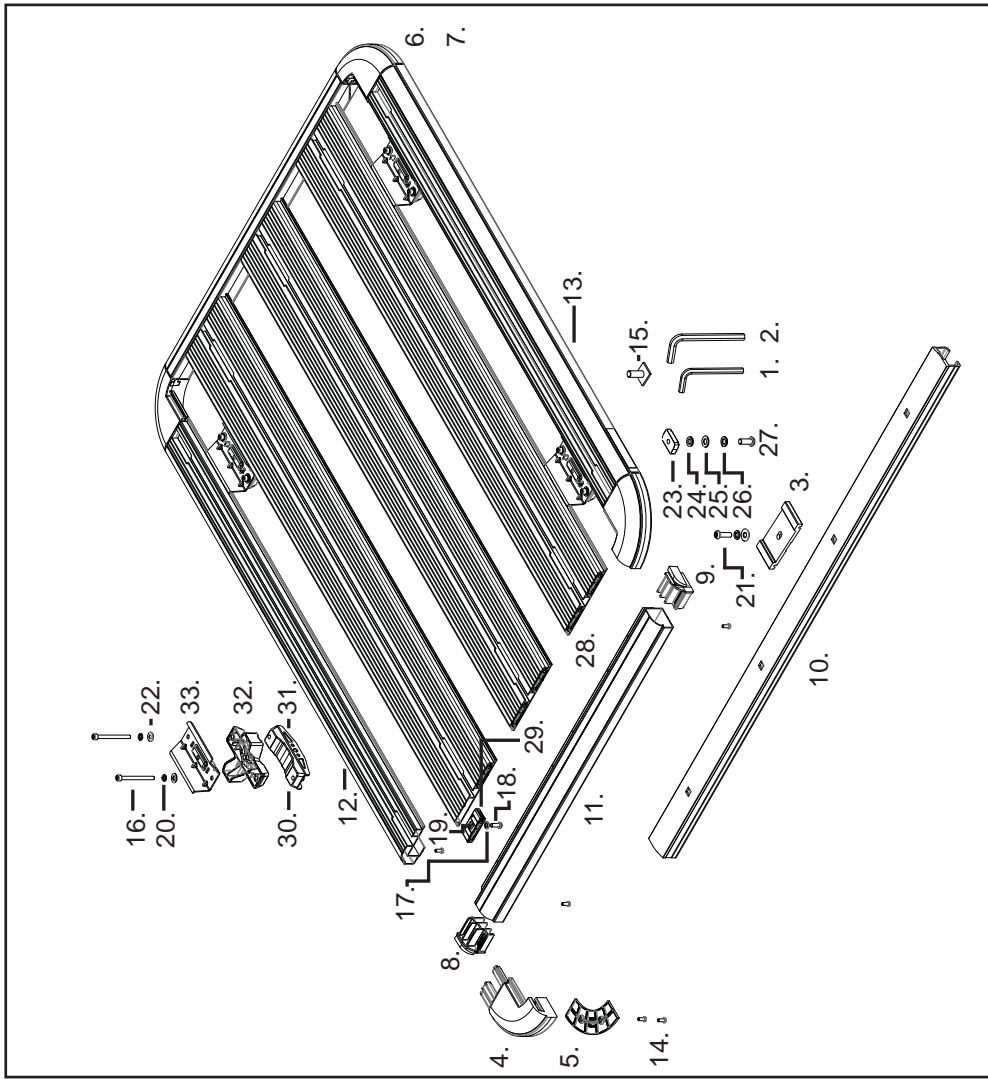
Rhino-Rack
3 Pike Street, Rydalmere,
NSW 2116, Australia.
(Ph) (02) 9638 4744
(Fax) (02) 9638 4822

Document No: R753
Prepared By: Kayle Everett
Authorised By: Chris Murty

Fit Time: 45min
Issue No: 09
Issue Date: 04/05/17

These instructions remain the property of RhinoRack Australia Pty. Ltd. and may not be used or changed for any other purpose than intended.

Parts



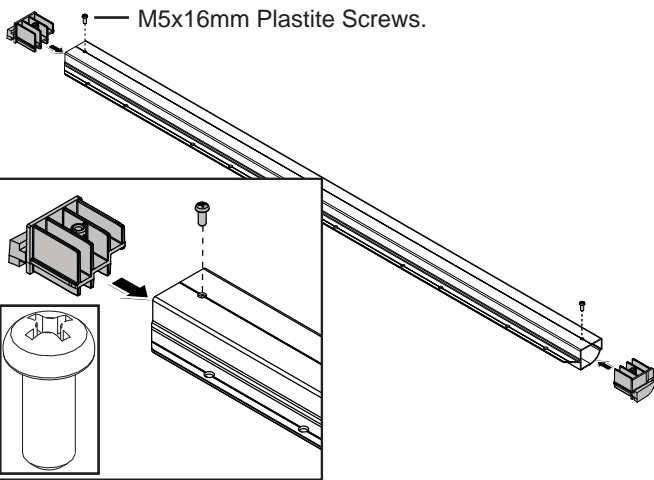
Item	Component Name	Part No.	42114B	42115B
1	4mm Allen Key	H048	1	1
2	5mm Allen Key (Double Ended)	H034	1	1
3	Alloy Locking Tab	A523	4	5
4	Corner Moulding	M427	2	2
5	Corner Moulding Cover	M431	2	2
6	Corner Moulding (Mirror)	M428	2	2
7	Corner Moulding Cover (Mirror)	M432	2	2
8	Corner T Moulding	M429	2	2
9	Corner T Moulding (Mirror)	M430	2	2
10	Crossbar (Fixed)	-	1	1
11	Frame End Extrusions	-	2	2
12	Frame Side Extrusions LH	-	1	1
13	Frame Side Extrusions RH	-	1	1
14	M5 x 16mm Plastite Screw	-	16	16
15	M6 x 30mm T Bolt 20mm Head	B183-BLK	4	4
16	M6 x 70mm Socket Head Cap Screw	B108-BLK	8	8
17	M6 x 12mm Flat Washer	W003-BLK	16	20
18	M6 x 16mm Dome Socket Screw	B036	12	16
19	M6 Nyloc Nut	N069	16	20
20	M6 Spring Washer	W004-BLK	12	13
21	M6 x 20mm Security Head	B062-BLK	4	5
22	M6 x 16mm Flat Washer	W031-BLK	12	13
23	M8 Channel Nut	N003-BLK	2	2
24	M8 15mm Flat Washer	W062-BLK	2	2
25	M8 17mm Flat Washer	W020-BLK	2	2
26	M8 Spring Washer	W019-BLK	2	2
27	M8 x 20mm Dome Socket	B155-BLK	2	2
28	Plank	-	3	4
29	Plank Insert	M759	12	16
30	Universal Bottom Bracket	SP050	4	4
31	Universal Bottom Bracket Pad	SP049	4	4
32	Universal Top Pad	M780	4	4
33	Universal Top Plate	CA1418	4	4
34	Instructions	R753	1	1



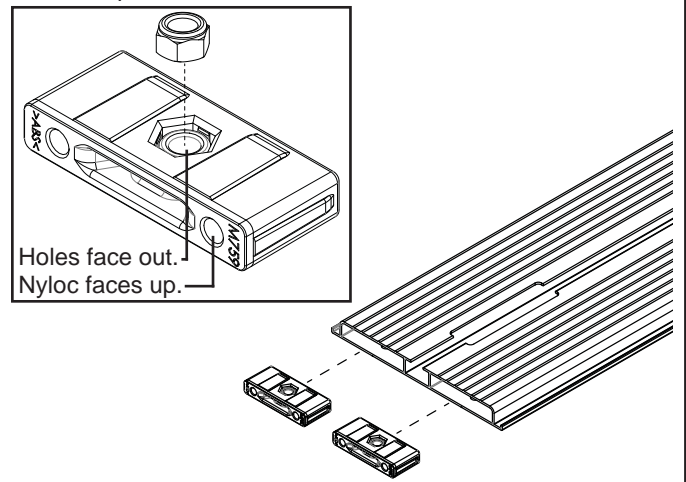
Universal Pioneer Platform (Flat Pack) 42114B/42115B

Instructions

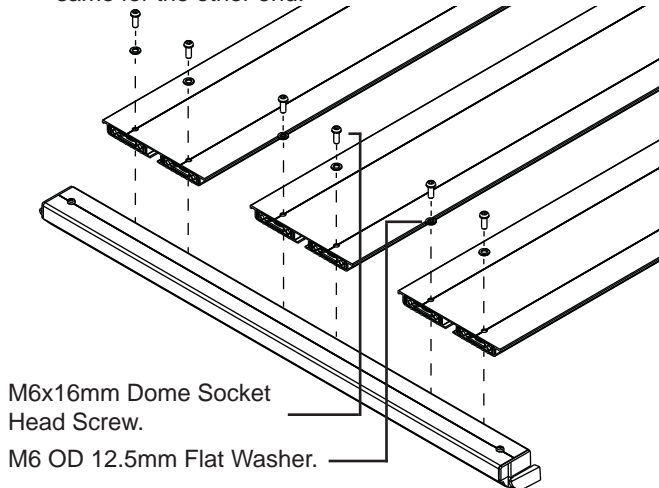
- 1** Fit Corner T Mouldings to the Frame End extrusions. A rubber mallet can be used to carefully tap the Moulding in place.



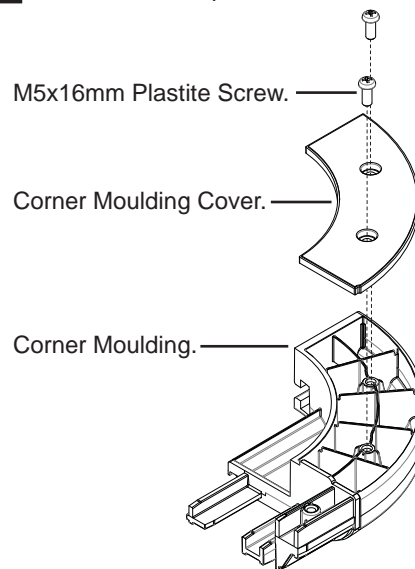
- 2** Fit the Plank Inserts into end of plank at both ends. Orientation of inserts is critical. Carefully tap the Inserts into place with a rubber mallet.



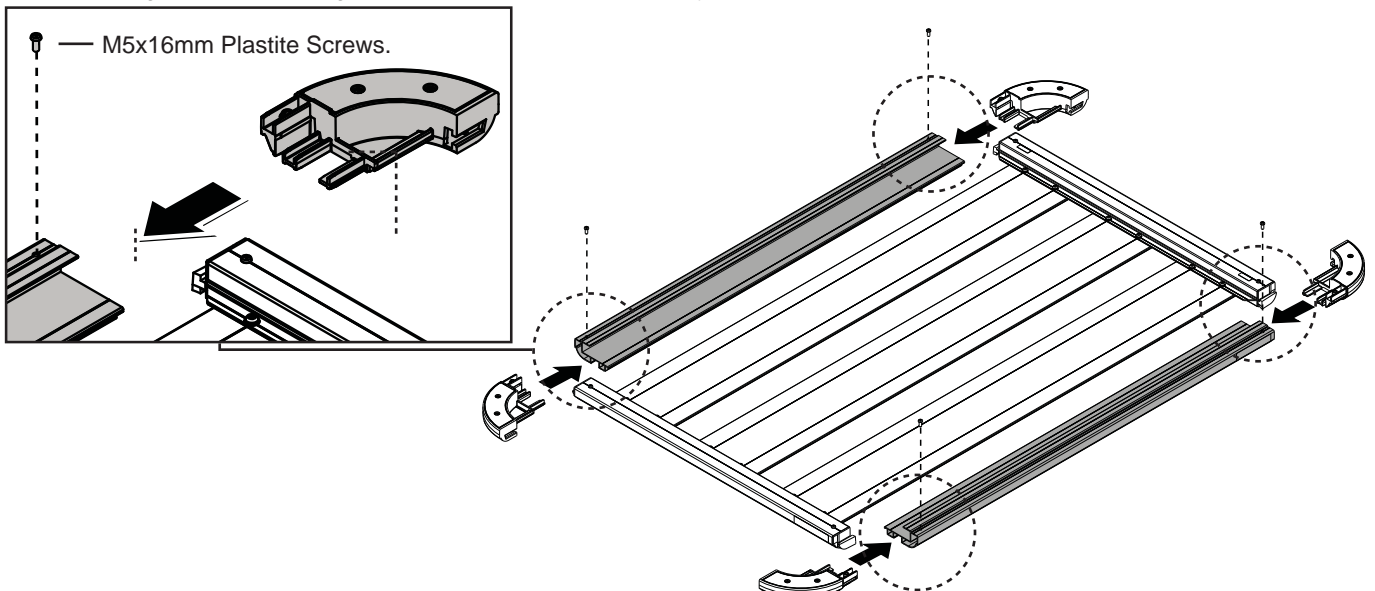
- 3** **Note, 42114 shown (42115 to follow the same step).** Lay End Extrusions upside down on floor, lower planks and fasten together using hardware supplied. Do the same for the other end.



- 4** Fit all four cover plates to corner mouldings as shown.



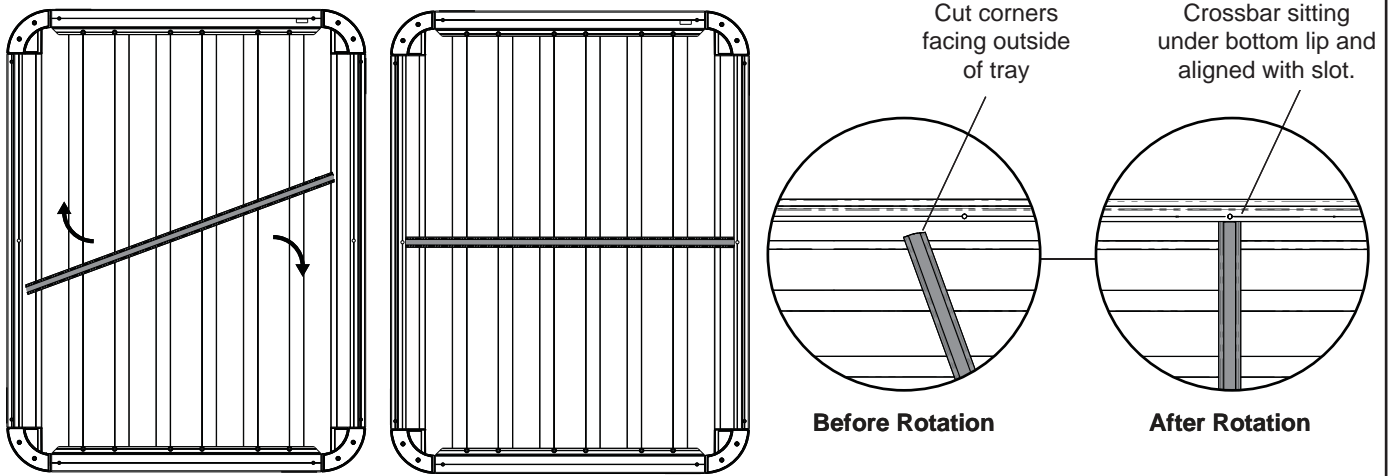
- 5** **Note, 42114 shown (42115 to follow the same step).** Place side extrusions upside down in position, slide corner mouldings onto T moulding and into extrusion simultaneously. Screw fix in position.



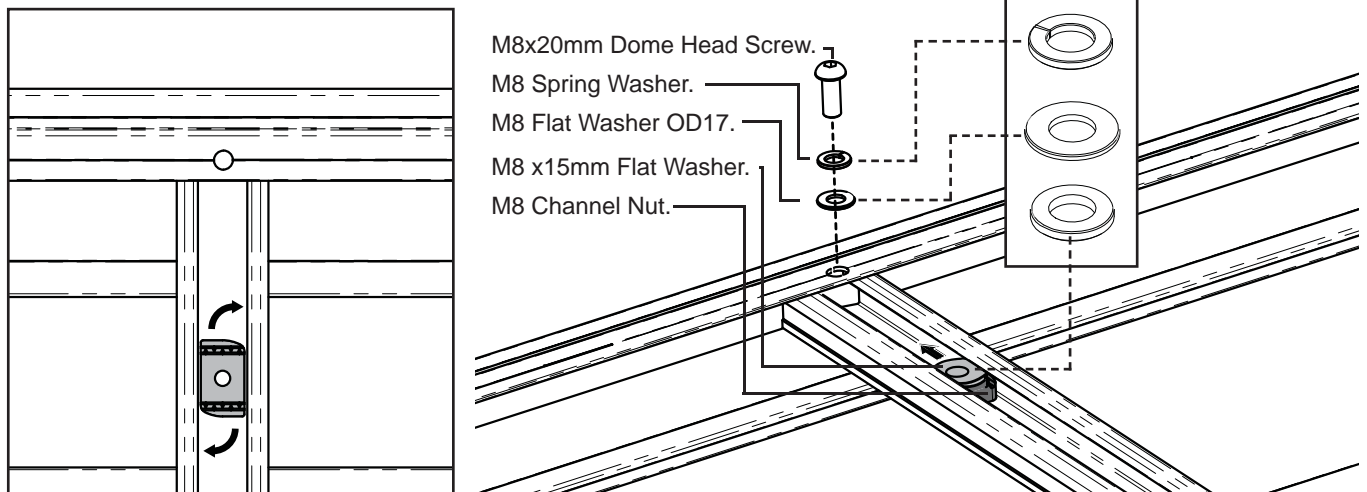


Universal Pioneer Platform (Flat Pack) 42114B/42115B

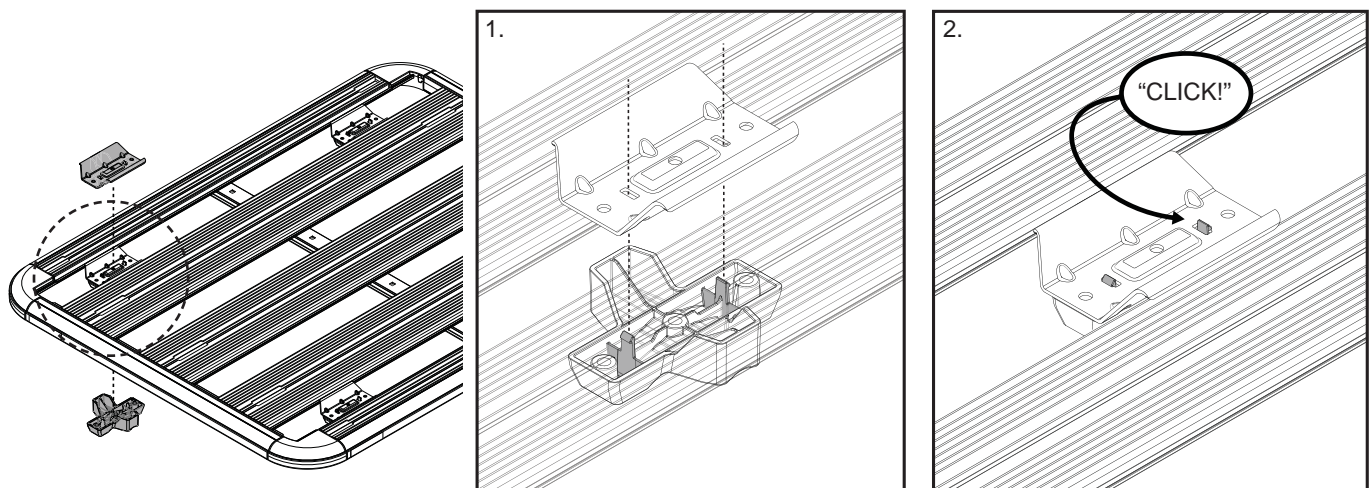
- 6** **Note, 42114 shown (42115 to follow the same step):** Lay the Platform face down. Place the Crossbars in at an angle and rotate under the lip of the Frame Side Extrusions.



- 7** Place channel nut within the crossbar as shown below and rotate 90 degrees. Place M8x15mm Flat Washers on top of the channel nut and slide both to the outside of the tray so they sit under the slot. Proceed to fit remaining hardware as shown. Repeat this process for both sides of the crossbar.



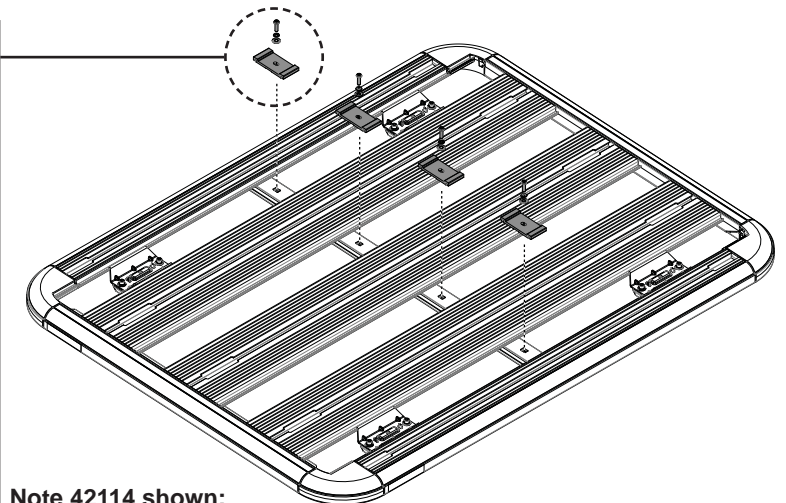
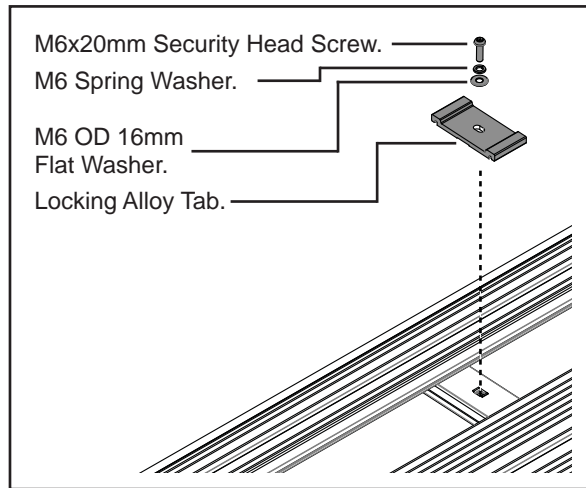
- 8** Place the Universals Top Plate onto the top of the Platform. Place the Top Pad on the other side of the Plate. Clip the two sections together, there will be an audible 'click' when completed.



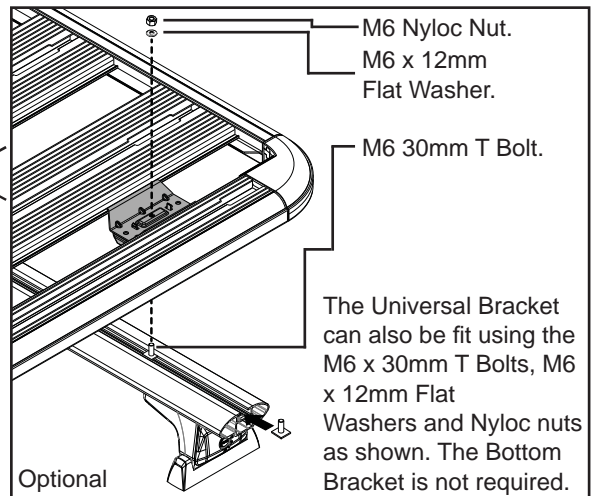
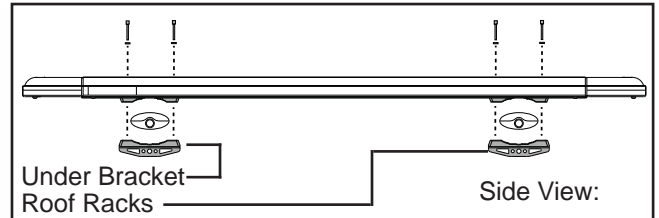
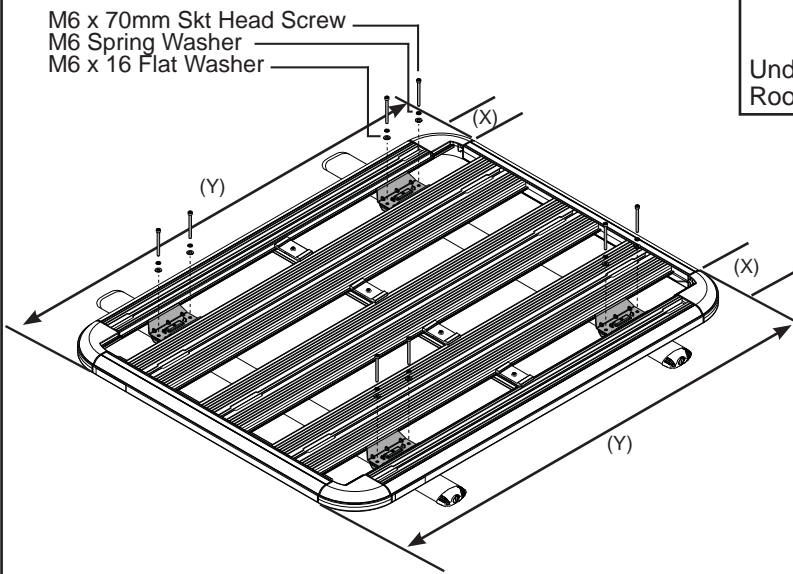


Universal Pioneer Platform (Flat Pack) 42114B/42115B

9 Install the Alloy Locking Tabs. Use the Allen Key provided to tighten.



10 Place the Platform onto your roof racks, adjusting bracket position so the Assembly sits on top of the racks. Place the Under Bracket on the underside of the crossbar. Fix in place with hardware provided. Check fixtures are tight before use. Ensure it is evenly spaced.



Important !

Do not connect eyebolts in outer extrusion, connect only to planks. 'T' Bolt connection must be used.

It is important that all roof racks and accessories are installed and attached correctly. Failure to follow correct attachment procedure could result in an accident, serious injury or death to others. The driver of the vehicle is responsible for securing the roof racks and accessories, checking the attachments, periodically checking bolt torque and visual inspection of all components for wear and damage. Do not attempt to fit the roof rack system or accessory to your vehicle unless you fully understand these fitting instructions. Please direct any questions regarding fitting to the dealer or retailer from where they were purchased.