



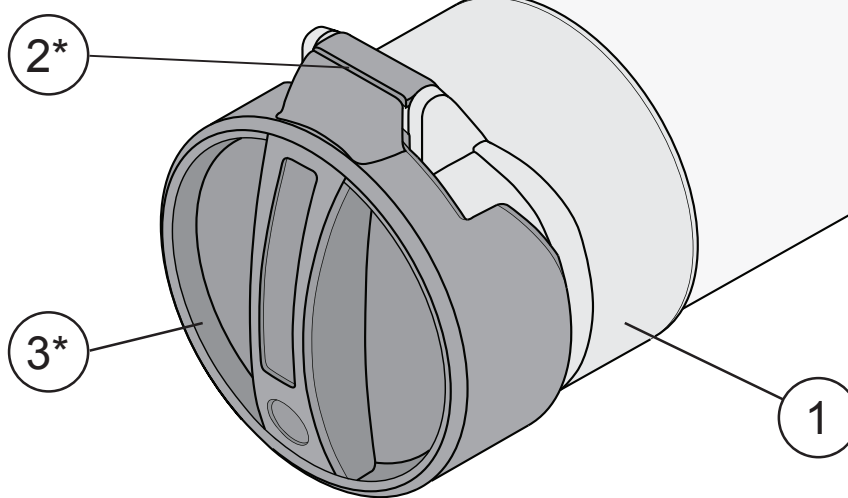
**CONTROLLED**

# RHINO-RACK

## Lock Safe Endcap LSE100/ LSE101

**Important:** Please read these instructions carefully prior to installation.  
 Please refer to your fitting instruction to ensure that the roof racks are installed in the correct locations.  
 Check the contents of kit before commencing fitment and report any discrepancies.  
 Place these instructions in the vehicle's glove box after installation is complete.

\*Items 2 and 3 will vary in colour (orange LSE101 or black LSE100) dependant on kit purchased.



**Note:** Recommended maximum carrying capacity is 15kg. PVC conduit pipe must be evenly supported and no short lengths stored inside.

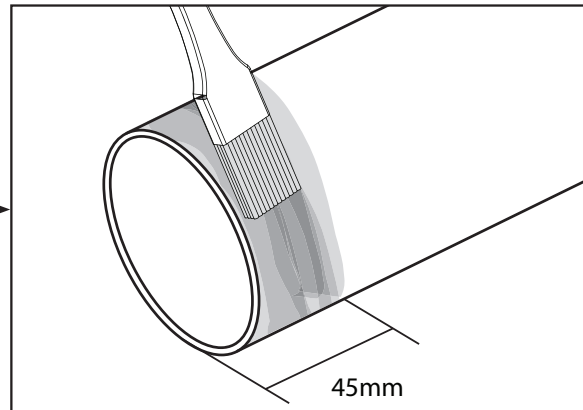
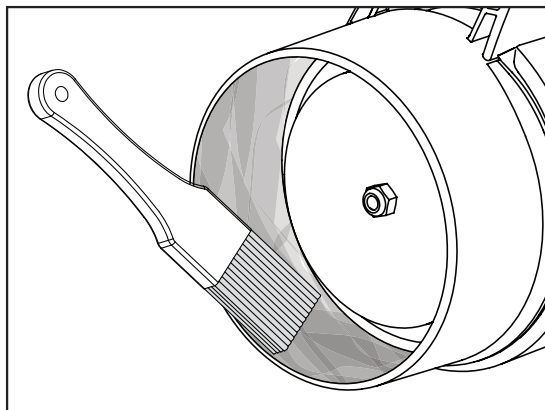
### Parts List

Item	Component Name	Qty	Part No.
1	Conduit Body	1	M681
2*	Hinge Plate	1	M682/M682-O
3*	End Cap Casing	1	M683/M683-O
4	Instruction	1	R503

**Required:**  
 PVC Primer  
 PVC Cement  
 Conduit Pipe

**1** Ensure conduit is squarely cut before proceeding. Clean inside and outside of both Conduit Pipe and Locking End Cap with a wet cloth.

**2** Apply the PVC Primer to both the outside of the conduit pipe (ONLY until 45mm from the end) and the inside of the Conduit Body (shown in step 2).



Rhino-Rack  
 3 Pike Street, Rydalmere,  
 NSW 2116, Australia.  
 (Ph) (02) 9638 4744 (Fax) (02) 9638 4822

Document No:R503  
 Prepared By: Sam Whelan  
 Authorised By: Chris Murty

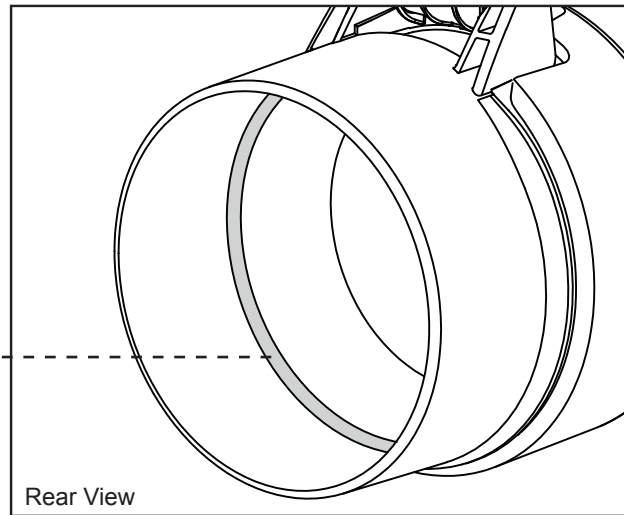
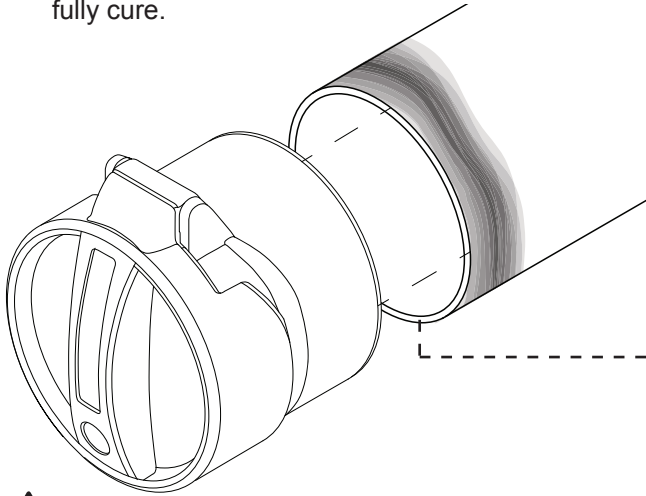
Issue No: 04  
 Issue Date: 10/12/2015

These instructions remain the property of Rhino-Rack Australia Pty Ltd and may not be used or changed for any other purpose than intended.



## Lock Safe Endcap LSE100/ LSE101

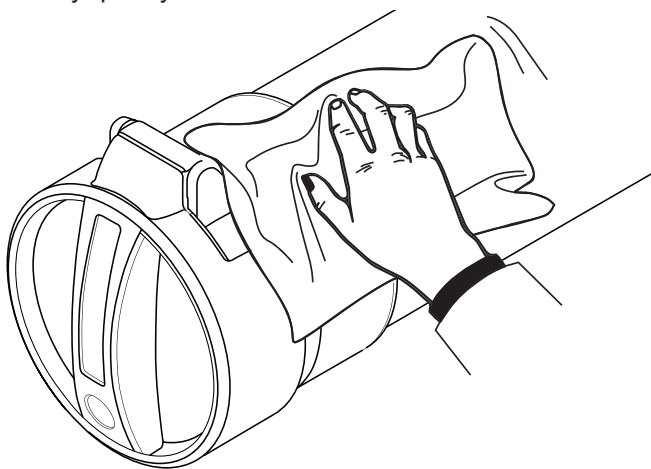
- 3** (i) Apply the PVC Cement to both the outside of the conduit pipe and the inside of the conduit body over the top of the PVC Primer (shown in Step 2).  
(ii) Immediately slide the End Cap over the Conduit Pipe until it reaches the raised edge and leave for 24hrs to fully cure.



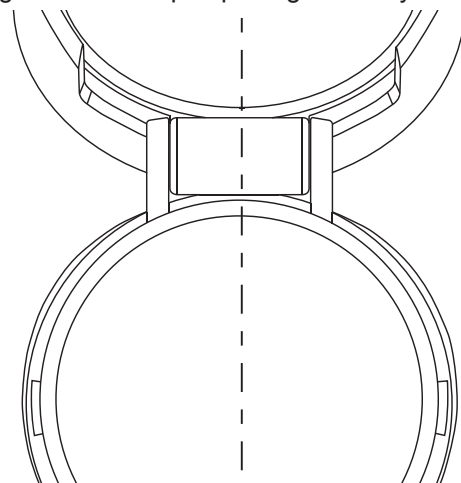
Rear View

**!** DO NOT let PVC Cement dry before attaching to conduit.

- 4** Wipe off any excess cement immediately as it will dry quickly.

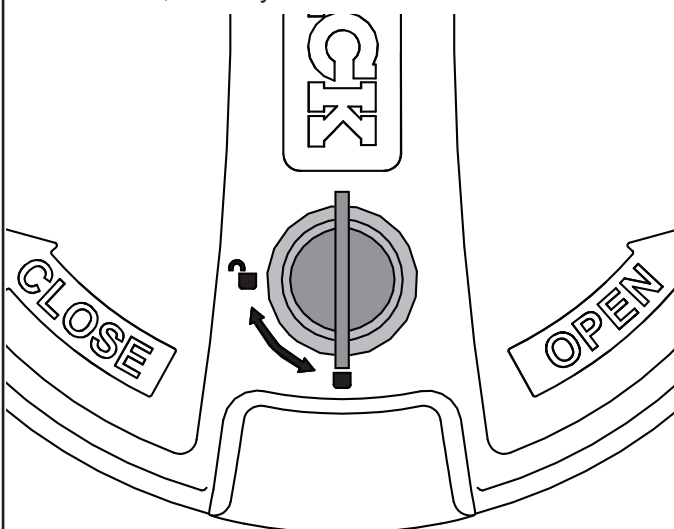


- 5** NOTE: When attaching both ends, ensure they align with end caps opening vertically.

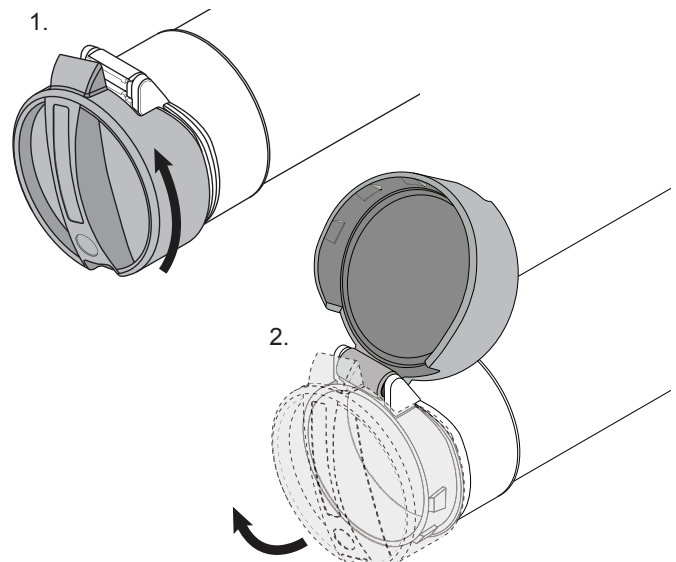


### Operation

- 1** and turn clockwise.  
To lock, turn key anti-clockwise.



- 2a** Twist black cap anti-clockwise and swing out to open.

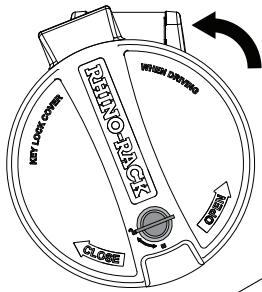




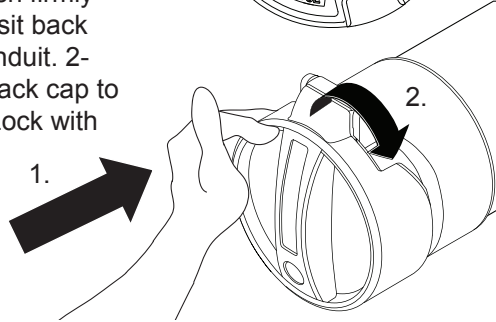
# Lock Safe Endcap LSE100/ LSE101

## 2b Front View: To close

Step 1: Twist anti-clockwise

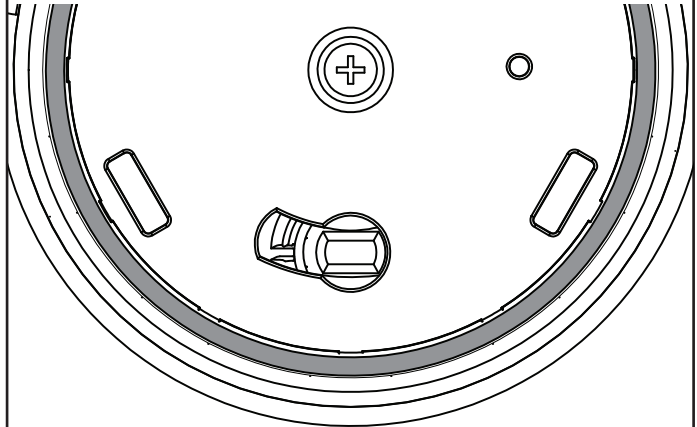


Step 2: 1- Push firmly until endcap sit back flush with conduit. 2- Rotate the black cap to fix in place. Lock with key.

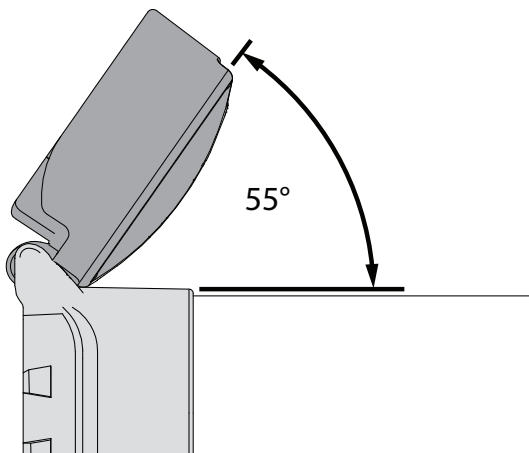


## Features

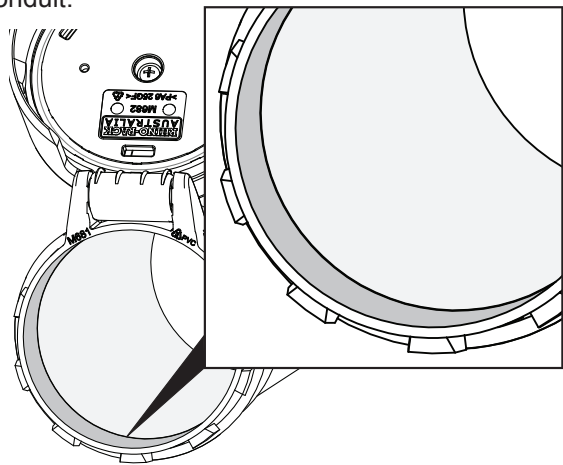
**A** The O-Ring on the Hinge Plate reduces dust and water build up inside the conduit pipe.



**B** The Locking End Cap remains open when the vehicle is parked on an incline.

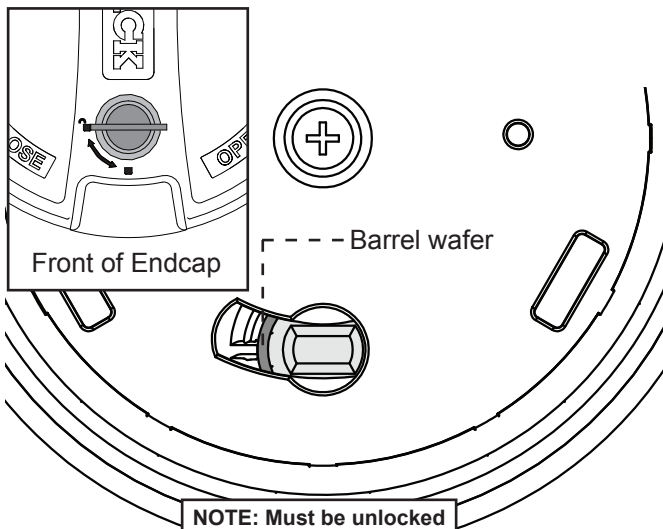


**C** Flush connection from Locking Endcap to conduit.

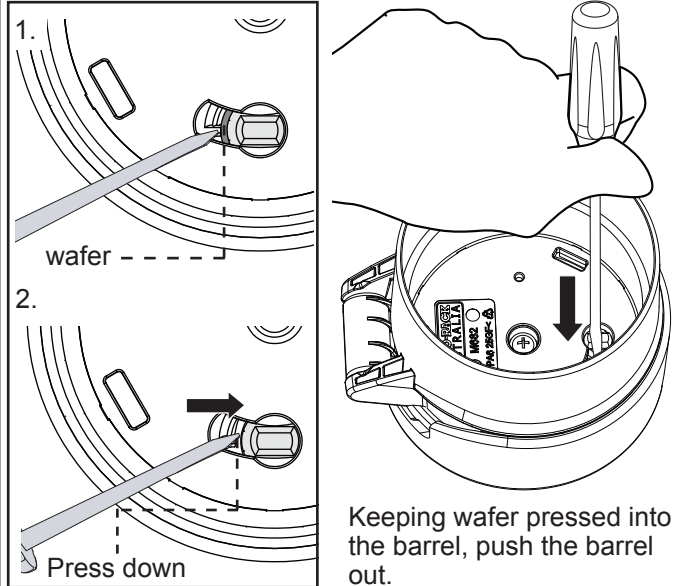


## Installing Master Lock (sold separately)

**1** Insert the key and unlock the Endcap. Open the Endcap to reveal the back of the lock on the Hinge Plate. Note the position of the barrel wafer.



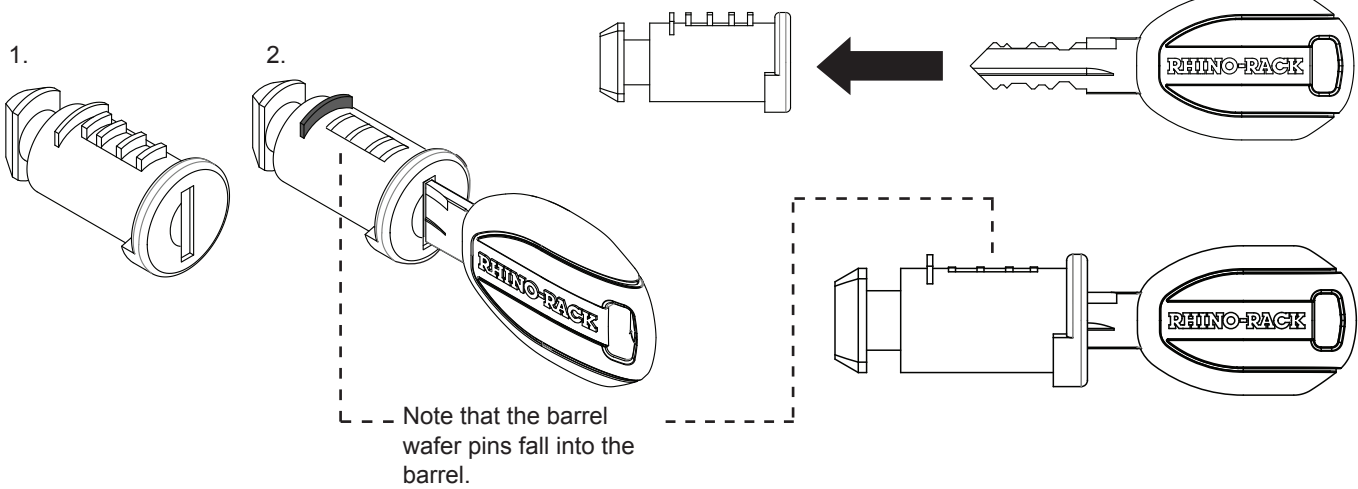
**2** Remove the lock by using a flat head screw driver and pressing down on the barrel wafer. With this compressed push the barrel out from the rear.





## Lock Safe Endcap LSE100/ LSE101

### 3 Insert Key into Master Barrel.



### 4 Line the final wafer on the barrel up with the ramp in the units barrel housing. Push the barrel home into the housing, the wafer will click into position locking the barrel in place.

