

# RHINO-RACK®

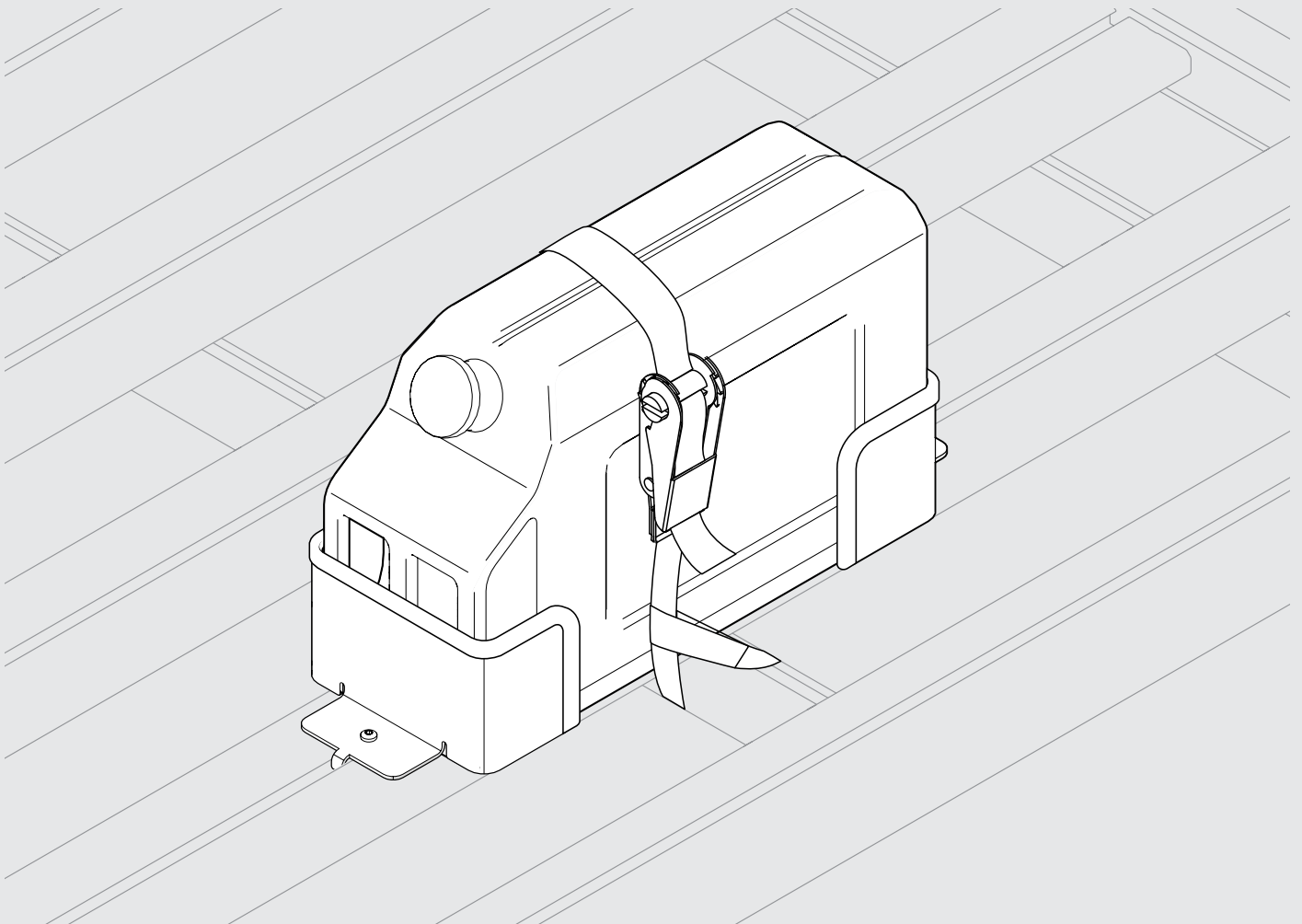
## Single Jerry Can Holder

61005

**Important:**

1. Check the Rhino-Rack website to ensure you have the latest issue of these instructions.
2. Please refer to your fitting instruction to ensure that the roof racks are installed in the correct locations.
3. Check the contents of kit before commencing fitment and report any discrepancies.
4. Place these instructions in the vehicle's glove box after installation is complete.
5. These instructions must be followed for warranty to be upheld.

**Fit Time:** 5 mins



**RHINORACK.COM**

Doc. No: 520-RFI-00148

Issue No: 02

Issue Date: 25/09/2023

**Strap Lashing Capacity:** 150kg / 301lbs

## Warning

- Do not attempt to fit the accessory to your vehicle unless you fully understand these fitting instructions. Please direct any questions regarding fitting to the dealer from where the product was purchased.
- Off-road conditions can be much more rigorous. Extreme care must be taken in off road conditions.
- Accessory must be removed when vehicle is put through an automatic car wash.
- Always ensure you fasten your load securely.
- Ensure product is locked before driving.
- Use only non stretch fastening ropes or straps.

## In service maintenance checks

- All bolt connections should be checked after driving a short distance when you first install your roof racks.
- All bolted connections should be checked again at regular intervals (weekly is recommended, depending on road conditions, usage, loads and distances travelled).
- All bolted connections should be checked each time they are re-fitted.
- Off-road conditions are more rigorous. Check all bolted connections and your load more regularly.
- Ensure that your vehicle manufacturer's GVM, and gross axle weights are not exceeded (refer to vehicle owner's manual).

## Sensitivity to Crosswinds, Behaviour in Curves and Braking.

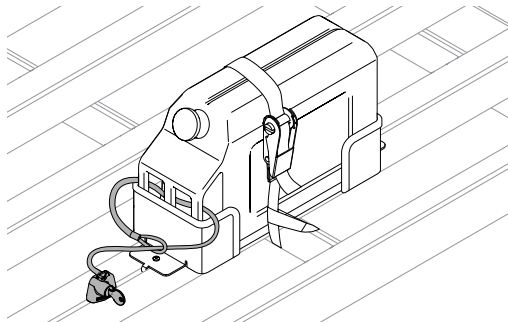
Remember that the handling characteristics of your vehicle will change when transporting a load on the roof. Exercise extreme care when transporting wind-resisting loads; special consideration must be taken into account when braking.

## Note for Dealers and Fitters

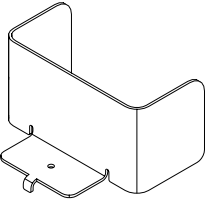
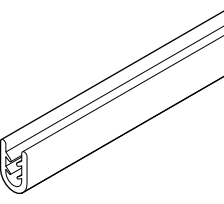
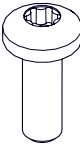
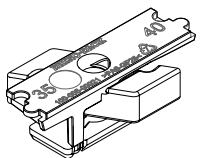
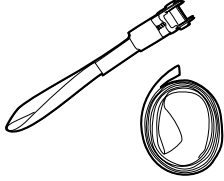

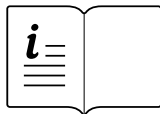
It is your responsibility to ensure these fitting instructions are given to the end user or client. These instructions remain the property of Rhino-Rack Australia Pty. Ltd. and may not be used or changed for any other purpose than intended.

## Security

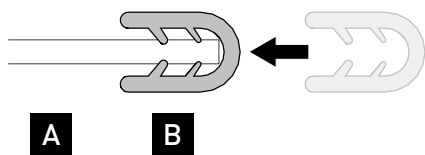
Cable Core Lockdowns (sold separately) can secure jerry cans to the platform and prevent jerry cans from theft.



## Parts List

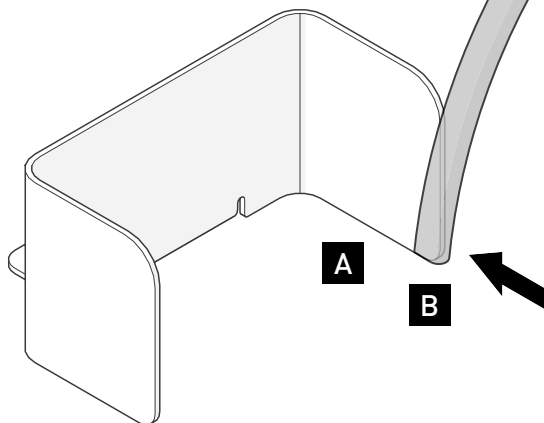
<p>Single Jerry Can Bracket</p>  <p><b>A</b> x2</p>	<p>Pinch Weld 505mm</p>  <p><b>B</b> x2</p>	<p>M6 x 16 Torx Pan Head Screw</p>  <p><b>C</b> x2</p>	<p>Zwifloc</p>  <p><b>D</b> x2</p>
<p>2m Strap with Loops</p>  <p><b>E</b> x1</p>	<p>Torx T30 L-Key</p>  <p><b>F</b> x1</p>	<p>Instructions</p>  <p><b>G</b> x1</p>	

1

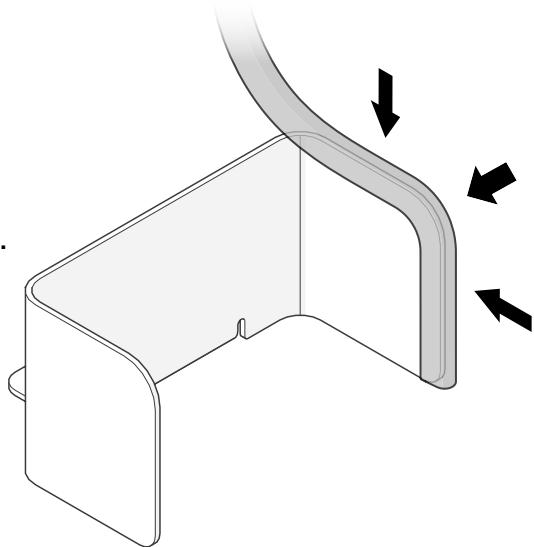


x2

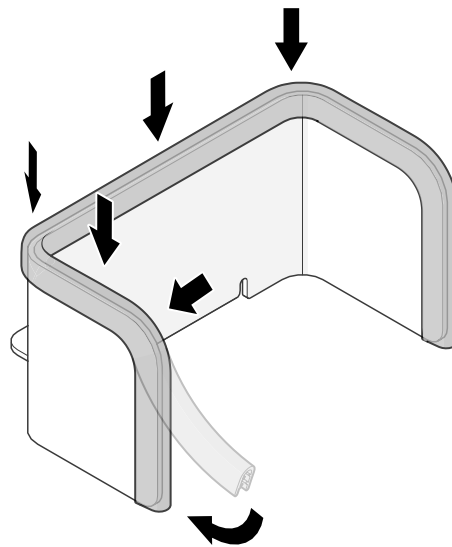
1.



2.

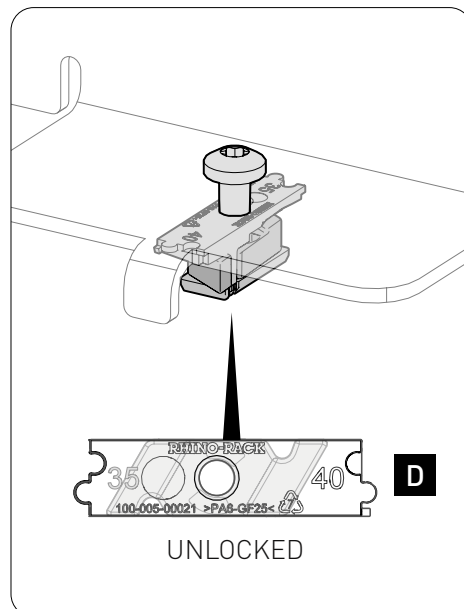
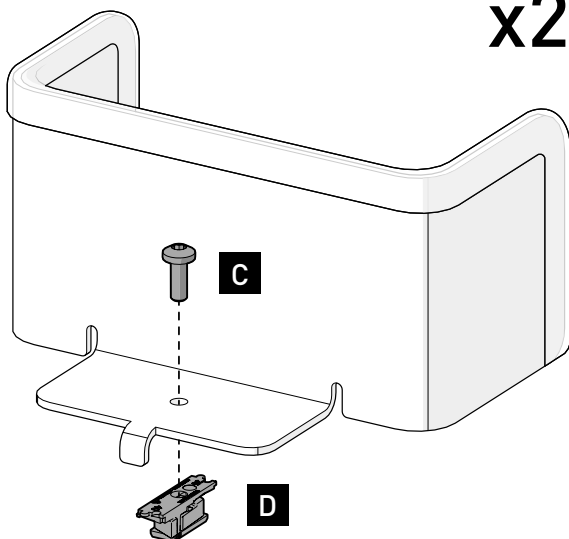


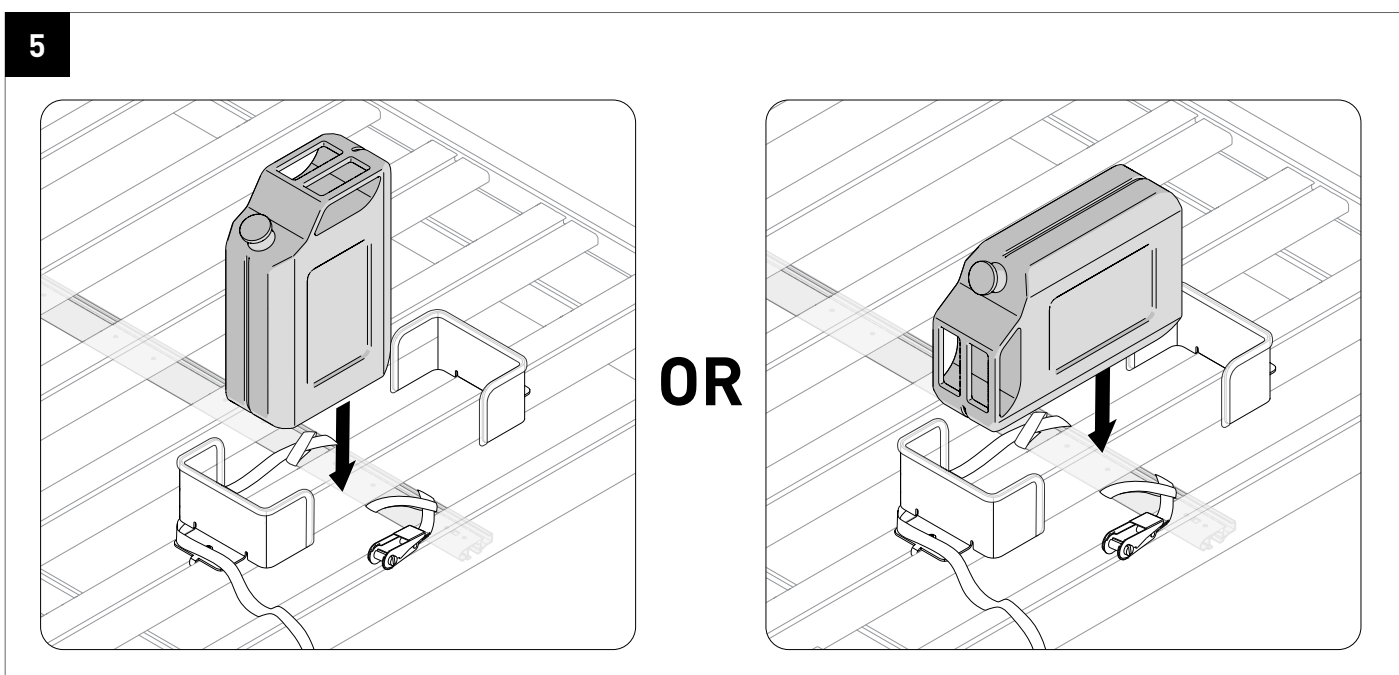
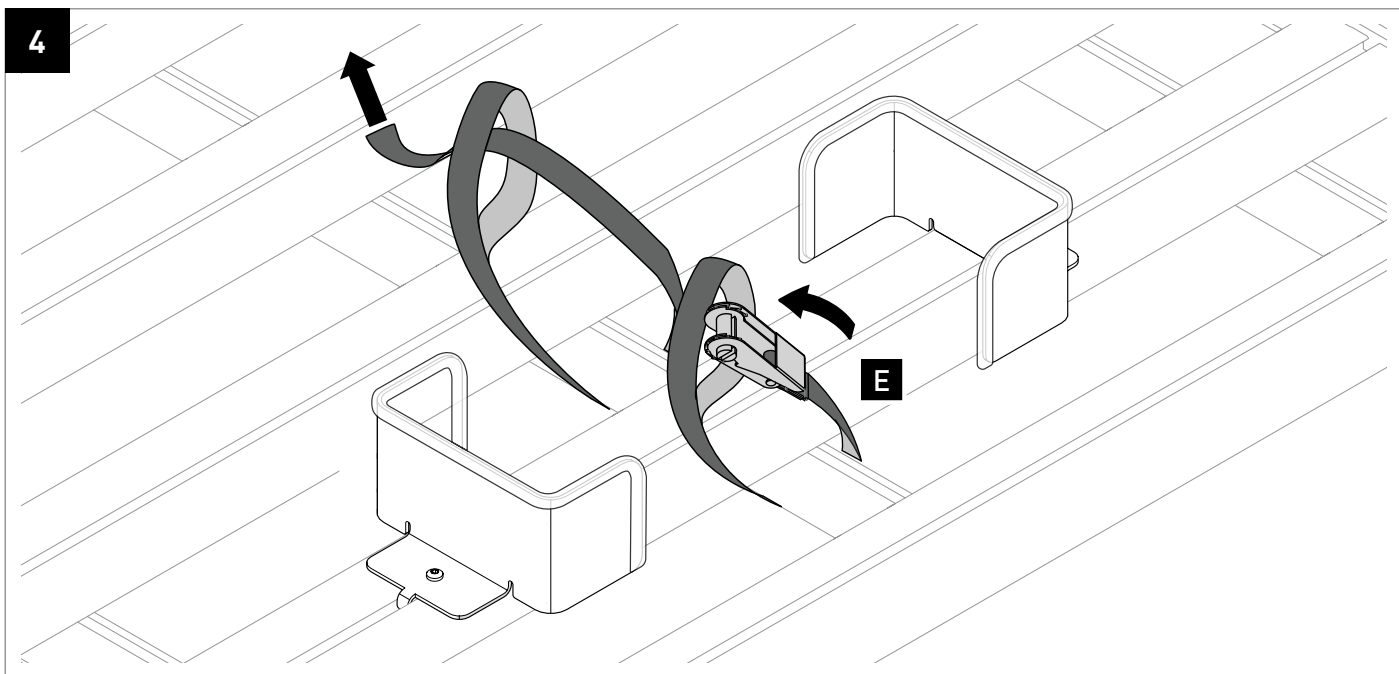
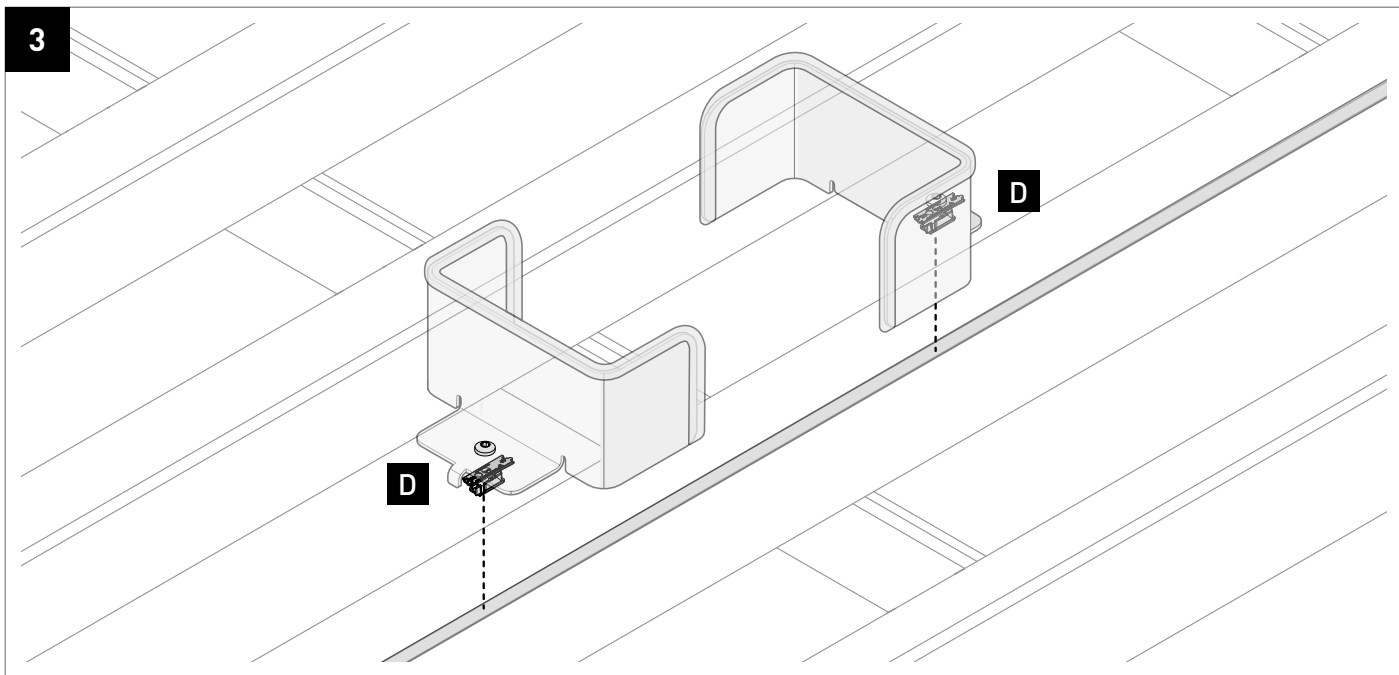
3.

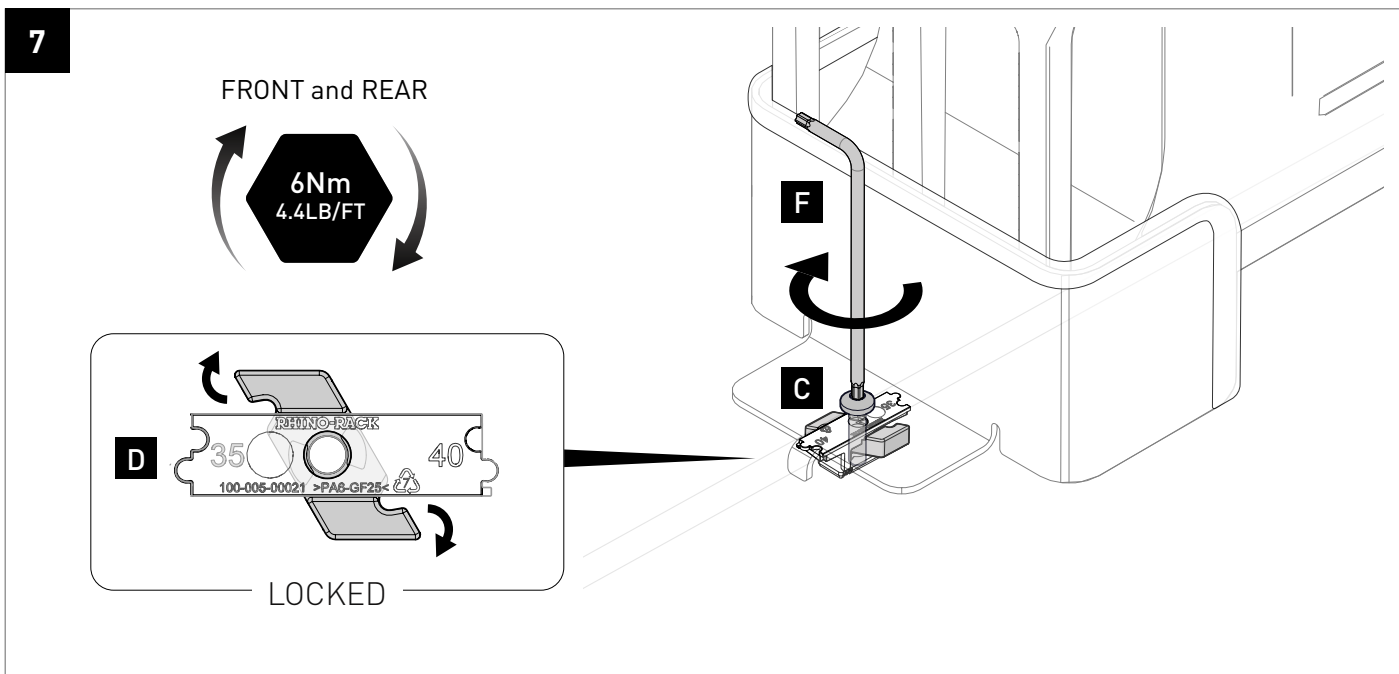
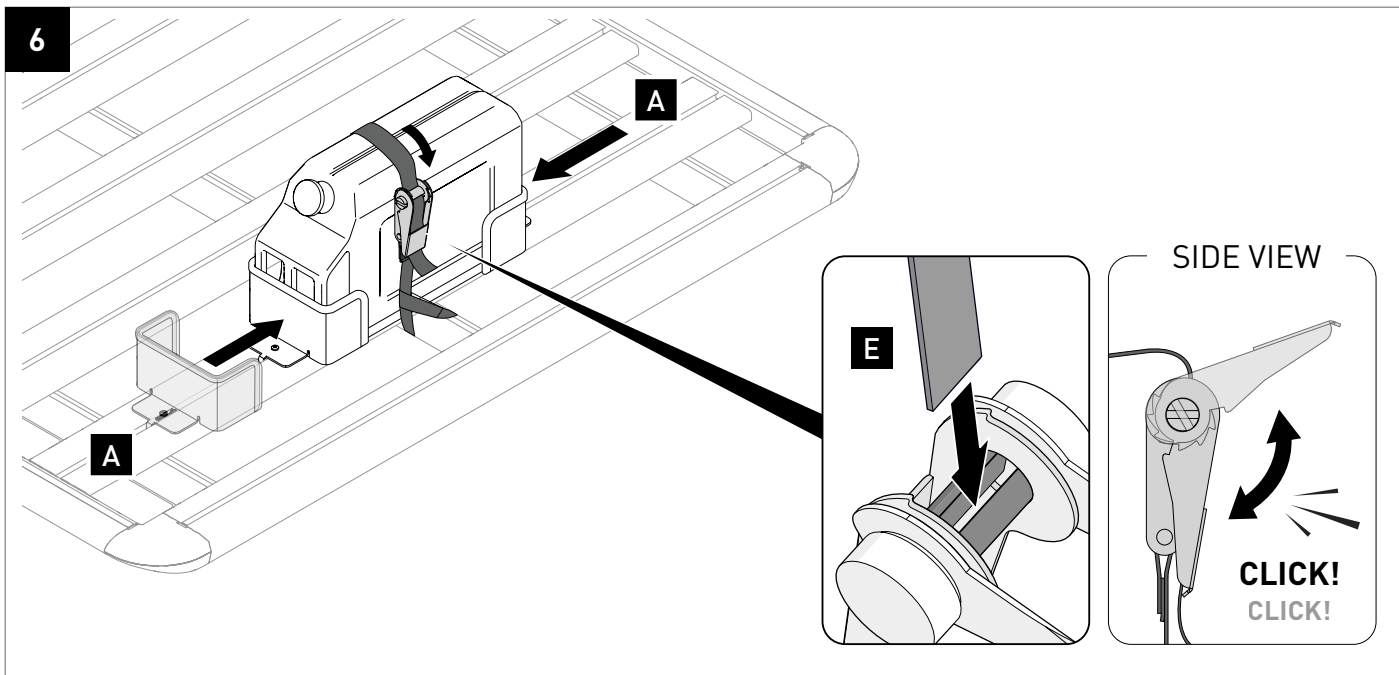


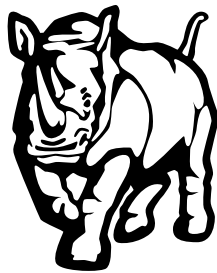
2

x2









**RHINO-RACK®**

MAKE SPACE FOR ADVENTURE

**RHINORACK.COM**

**Rhino-Rack AUSTRALIA**  
22A Hanson Pl,  
Eastern Creek, NSW, 2766

**Rhino-Rack USA**  
19822 E 22nd Ave,  
Aurora, CO, 80011